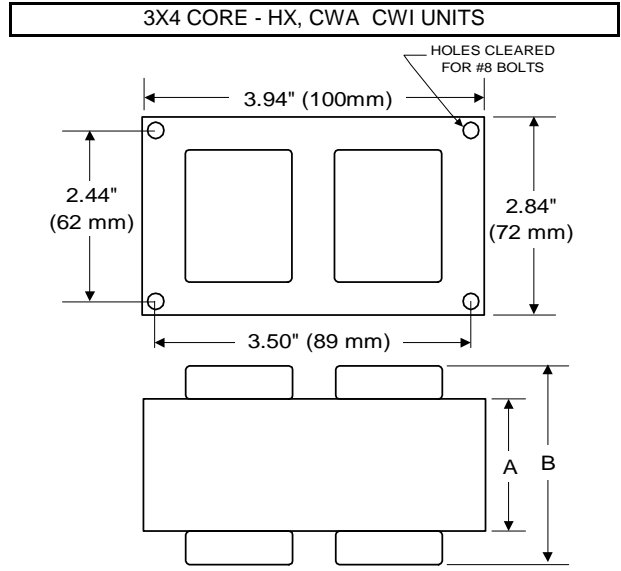


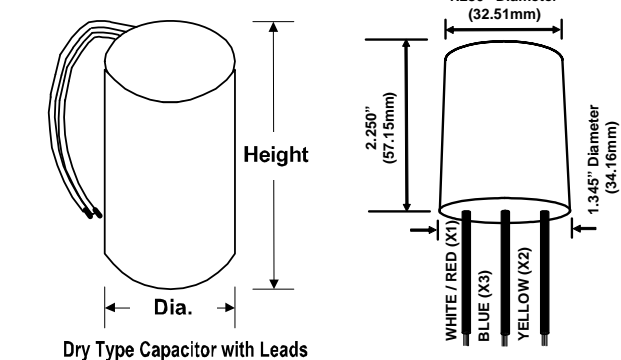
**BALLAST SPECIFICATION**

**200W M136**  
**Pulse Start Metal Halide**  
**V90D7310**  
**60 Hz CWA**

<b>Input Volts</b>	120	208	240	277
<b>Line Current ( Amps )</b>				
Operating	2.00	1.15	1.00	0.85
Open Circuit	1.00	0.60	0.50	0.45
Starting	1.40	0.75	0.70	0.60
<b>Recommended Fuse (Amps)</b>	5	3	3	3
<b>Regulation</b>				
Line Volts	±10%	±10%	±10%	±10%
Lamp Watts	±10%	±10%	±10%	±10%
<b>Temperature Ratings</b>				
Insulation Class	180 (H)	180 (H)	180 (H)	180 (H)
Coil Temperature Code	A	A	A	A
Benchtop Coil Rise	72.4	71.1	70.7	70.8
<b>Power Factor (Min)</b>	90%	90%	90%	90%
<b>Input Watts</b>	231 W	231 W	231 W	231 W
<b>Efficiency</b>	87%	87%	87%	87%
<b>NOM. Open Circuit Voltage</b>	240	240	240	240
<b>Input Voltage At Lamp Dropout</b>	90	156	180	208
<b>Min Ambient Starting Temp</b>	-20°F/-30°C*	-20°F/-30°C*	-20°F/-30°C*	-20°F/-30°C*
<b>60 HZ TEST PROCEDURES</b>				
<b>High Potential Test (Volts)</b>				
1 Minute	1,600 V	1,600 V	1,600 V	1,600 V
1 Second	1,900 V	1,900 V	1,900 V	1,900 V
<b>Open Circuit Voltage Test (V)</b>	215 - 265	215 - 265	215 - 265	215 - 265
<b>Short Circuit Current Test (A)</b>				
Secondary Current				
Min	2.10	2.10	2.10	2.10
Max	2.60	2.60	2.60	2.60
Input Current				
Min	1.00	0.55	0.50	0.45
Max	1.50	0.85	0.75	0.65
<b>CORE and COIL Specifications</b>				
Dimension (A)	2.50 in	2.50 in	2.50 in	2.50 in
Dimension (B)	3.90 in	3.90 in	3.90 in	3.90 in
Weight	8.0 lb's	8.0 lb's	8.0 lb's	8.0 lb's
Lead Lengths	12"	12"	12"	12"
<b>Capacitor Requirement</b>				
Microfarads	16.0 uf	16.0 uf	16.0 uf	16.0 uf
Volts (Min)	300 V	300 V	300 V	300 V



<b>Capacitor:</b>	ACG301	<b>Ignitor:</b>	BVS-041
Microfarads:	16.0 uf	Case Temp (Max):	105 °C
Volts (Max):	330 V	BTL Distance (Max):	2 ft
Case Temp (Max):	100 °C		
Height (Max):	2.76 in		
Dia (Max):	1.62 in		



**Ordering Information**    Add Suffix for options

C - With Capacitor  
 K - Prewired, with Capacitor and Bracket Kit  
 B - With Welded Bracket, no cap  
 CB - With Capacitor and Welded Bracket

\* -40°F/-40°C Min Ambient Starting Temp with Venture Lamp  
 Coil material: primary Cu and secondary Cu

RoHS compliant on all manufactured products after August 1, 2007

Data is based upon tests performed by Venture Lighting in a controlled environment and is representative of relative performance. Actual performance can vary depending on operating conditions. Specifications are subject to change without notice.

