



PERFORMANCE

- Minimum Starting Temperature: -20°F
- Maximum Case Temperature: 194°F, 90°C
- OCV: 800V

APPROVALS

- HL Type - Hazardous Location
- UL, cUL 935 Listed
- Class P
- Type 2 Outdoor



WIRE LENGTHS

- (1) Black 24"
- (1) White 24"
- (2) Brown 50"
- (2) Blue/White 50"
- (2) Yellow 70"
- (2) Blue 50"
- (2) Orange/Black 50"
- (2) Orange 50"
- (2) Red 80"

3 YEAR WARRANTY FROM DATE OF MANUFACTURE

MAGNETIC FLUORESCENT SIGN BALLAST

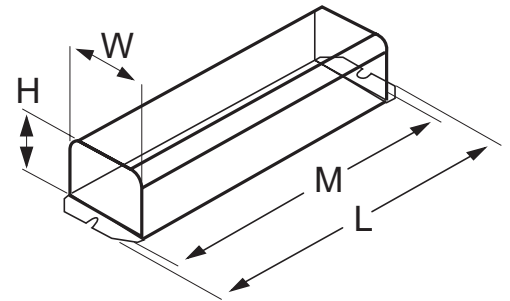
Ballast Type	Magnetic	Starting Method	Rapid Start
Lamp Connection	Series	Input Voltage	120Vac +5/ -10%
Input Frequency	60Hz		

Electrical Specifications

Lamp Type	No. of Lamps	Lamp Footage	Input Watts	Input Current (Amps)	Power Factor	Crest Factor	Ballast Factor	Ballast Efficacy Factor	Max. THD %
(2)F96T12/HO (4)F72T12/HO	6	40	450	3.8	>0.99	<1.8	0.75	0.17	10
F36T12/HO	4	12	205	2.5	>0.71	<1.8	0.84	0.41	35
F48T12/HO	4	20	252	2.5	>0.78	<1.8	0.74	0.29	20
F72T12/HO	5	30	350	3.1	>0.95	<1.8	0.74	0.21	15

Physical Dimensions

Length (L): 19.19"
Width (W): 3.19"
Height (H): 2.69"
Mounting (M): 18.63"



Wiring Diagram

