

## PERFORMANCE

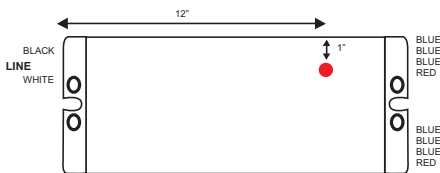
- Sound Rated: A
- Minimum Starting Temperature: -20°F, -29°C
- Maximum Case Temperature: 194°F, 90°C
- Meets FCC Part 18 (Class A) Non Consumer Limits
- Electronic Sign Ballast for 4, 5 and 6 T12HO lamps up to 8 ft long or any combination thereof from 8-48 ft
- Electronic Sign Ballast for 4, 5 and 6 T8HO lamps up to 6 ft long or any combination thereof from 16-36 ft

## APPROVALS

- HL Type - Hazardous Location
- UL, cUL 935 Listed



## HOT SPOT LOCATION



## WIRE LENGTHS

- (1) Black 24"
- (1) White 24"
- (1) Yellow 144"
- (1) Yellow/Black 144"
- (3) Red 144"
- (3) Blue 144"

**3 YEAR WARRANTY FROM DATE OF MANUFACTURE**

## ELECTRONIC FLUORESCENT SIGN BALLAST

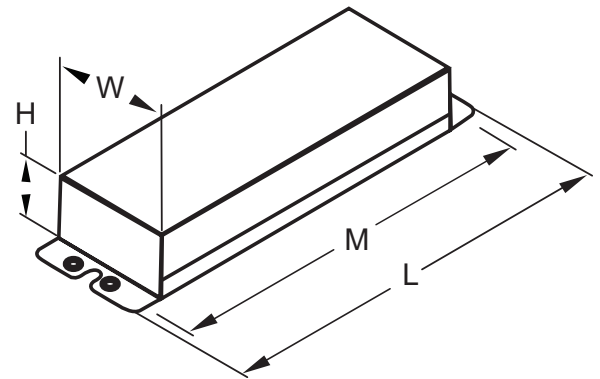
<b>Ballast Type</b>	Electronic	<b>Starting Method</b>	Instant Start
<b>Lamp Connection</b>	Parallel	<b>Input Voltage</b>	120 ~ 277Vac ± 10%
<b>Input Frequency</b>	50Hz / 60Hz		

## Electrical Specifications

Lamp Type	No. of Lamps	Lamp Footage		Volts	Input Watts	Input Current (Amps)	Power Factor	Crest Factor	Max. THD %
		Min	Max						
<b>F96T12/HO</b>	6, 5, 4	8	48	120	410	3.50	>0.98	<1.7	10
<b>F96T12/HO</b>	6, 5, 4	8	48	277	405	1.50	>0.97	<1.7	10
<b>F72T8/HO</b>	6, 5, 4	16	36	120	370	3.20	>0.98	<1.7	10
<b>F72T8/HO</b>	6, 5, 4	16	36	277	365	1.36	>0.96	<1.7	10

## Physical Dimensions

Length (L): 14.45"  
 Width (W): 3.23"  
 Height (H): 2.20"  
 Mounting (M): 13.75"

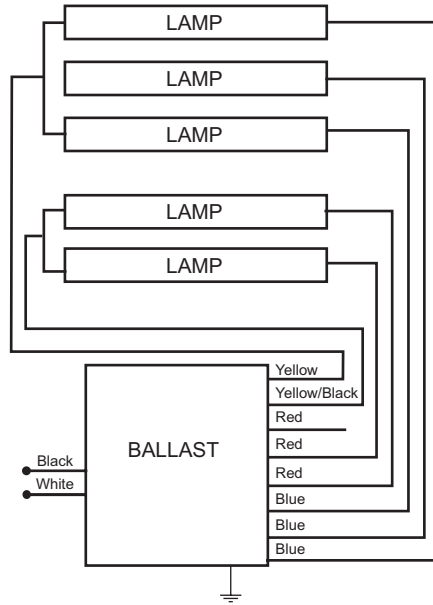
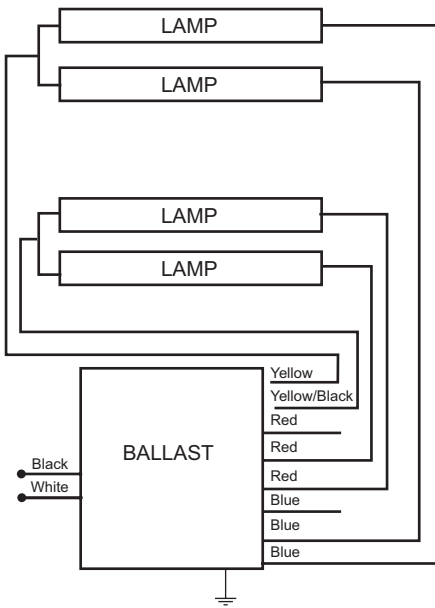


## Wiring Diagram

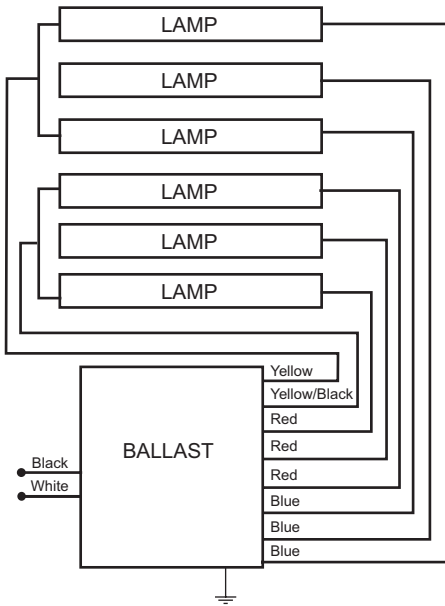
Shown on Pg. 2



## Wiring Diagram Continued



Four and Five Lamp Applications  
(Individually cap blue leads)



Six Lamp Application