

ELECTRONIC HID BALLASTS

Case Material: Metal

Input	
Nominal Voltage	Dedicated 120V or 277V
Frequency	50/60Hz
Line Regulation	± 5% output variation over full input range
Power Factor	> 0.95
Total Harmonic Distortion	< 10%

Output	
Lamp Operating Frequency	155Hz Square Wave
Lamp Current C.F.	<1.3

Ordering Information	
Standard Case Quantity	50 Units
Unit Weight/Case Weight	0.51 lbs/28 lbs

ELECTRICAL SPECIFICATIONS

Watts	Hatch Part Number	Description	Lamp Types/ ANSI Codes	Voltage Range	Nominal Input Power	Input Current/ Input Voltage	Max. Remote Distance (ft)
22	MC22-1-F-12LX	22 Watt 120V Nano w/Feet Low Strike	Phillips – CDM-TM 20W/830° C175E	120V ±10% AC Nominal 108-132V 277V ±10% AC Nominal 185-305V	26 Watts	.22 Amps @ 120V .13 Amps @ 208V .11 Amps @ 240V .10 Amps @ 277V	10
	MC22-1-F-27LX	22 Watt 277V Nano w/Feet Low Strike					
	MC22-1-J-12LX	22 Watt 120V Nano Bottom Feed Low Strike w/Studs					
	MC22-1-J-27LX	22 Watt 277V Nano Bottom Feed Low Strike w/Studs					

PRODUCT FEATURES :

- Thermal protection
- Approved for recessed use
- Micro Processor Controlled
 - Safety Shut Down Features
 - Superior Hot Lamp Restrike Characteristic
- Low Voltage Lamp Shutdown
- Sound Rated: A
- Minimum Starting Temperature: -30°C
- Maximum Case Temperature: 80°C
- Complies with FCC Part 18 (Class B) Consumer limits
- 5 Year Warranty
- Lamp end-of-life protected

- Transient Protection Meets ANSI/IEEE C62.41 Cat A
 - Short Circuit Protection
 - Open Circuit/No Lamp/ Hot Lamp Shutdown, Retry and Ignition Failure Protection:
- Ignition failure shutdown in 5 seconds followed by multiple timed restrikes with lamp ignition or timed shutdown until power is reset (restrike timing is lamp wattage dependent)

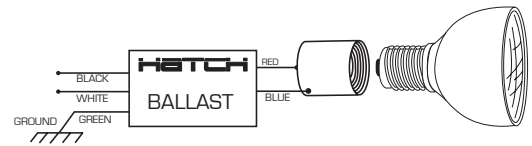
APPROVALS:



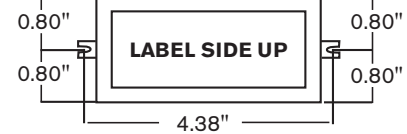
Type 1 Outdoor



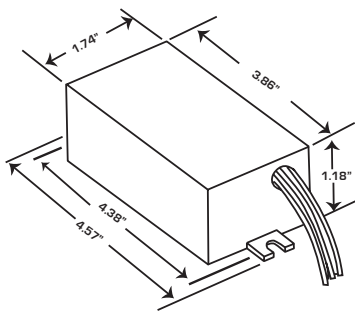
WIRING DIAGRAMS:



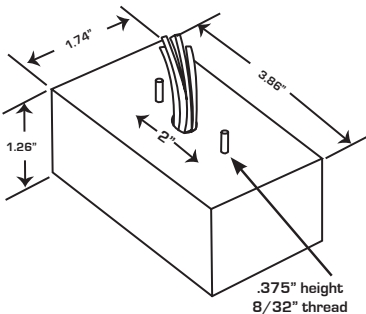
MOUNTING DIAGRAM:



CASE DIMENSIONS & MECHANICAL SPECIFICATIONS:



Center line to center line is .16" less than end to end on models with mounting feet.

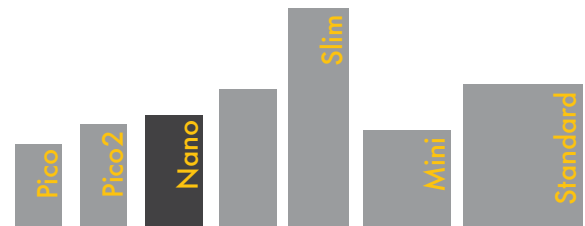


CASE STYLE	MOUNTING
X - Nano	F - Side lead with feet
Wiring Information	
Lead Length :	Input/Output : 8"
Wire Type :	Input: 18AWG, 105°C, 600V
Operating Temperatures	
Minimum Starting Temperature :	-30°C
Maximum Case Temperature :	80°C

* Available without feet, special order

CASE STYLE	MOUNTING
X - Nano	J - Bottom feed with studs
Wiring Information	
Lead Length :	Input/Output : 10"
Wire Type :	Input: 18AWG, 105°C, 600V
Operating Temperatures	
Minimum Starting Temperature :	-30°C
Maximum Case Temperature :	80°C

CASE STYLE SIZE CHART:



Each case style listed in the Size Chart represents a side lead model with no mounting feet. All HATCH E-HID Ballasts are available in several mounting and wiring configurations, each with slightly different dimensions from those listed in the chart.

