

Electronic H.I.D. Ballasts



NANO-SLIM CASE

SIDE LEAD AND BOTTOM FEED MODELS



20 Watt Nano-Slim

Only Hatch Offers:

- Ultra low Spectral Power Density
- Patented Half Bridge Technology
- Patented Automatic Lamp Crest Factor Control "ALCFC"
- Industry Leading Remote Mount Capabilities

Features

- Superior color uniformity
- Low profile, lightweight
- Excellent Lumen Maintenance
- Constant lumen output over a wide input voltage range and lamp voltage variation
- Significant energy savings as compared to magnetic ballasts
- Thermal protection
- Approved for recessed use
- Micro Processor Controlled
 - Safety Shut Down Features
 - End of Lamp Life Protection
 - Superior Hot Lamp Restrike Characteristics
- Designed, tested & approved for most Lamp Brands. (Contact factory for approved list)
- Low Voltage Lamp Shutdown

Environmental Specifications

Minimum Starting Temperature.....-30°C
Maximum Case Temperature.....80°C
Emi/RFI.....Complies with FCC 18C
Sound Rating.....A
WarrantyUp to 5 Years
Safety ListingType 1 Outdoor

Electrical/Mechanical Specifications

INPUT

Voltage.....120V AC Nominal 108-132V
Absolute operational limits 95-145V
277V AC Nominal 220-277V
Absolute operational limits. 200-305V
Frequency.....50/60Hz
Line Regulation.....+/-0.5 output variation over
full input range
Power Factor.....> 0.95
Total Harmonic Distortion.....< 10%

OUTPUT

Lamp Operating Frequency...165Hz Square Wave
Lamp Current C.F......<1.3
ALCFC.....Yes

Weight.....9 oz
Case Material.....Metal
Transient Protection.....Yes
Short Circuit Protection.....Yes
Thermal Protection.....Yes
Open Circuit / No Lamp / Hot Lamp Shutdown, Retry and Ignition Failure Protection.....Yes

Ignition failure shutdown in 5 seconds followed by multiple timed restrikes with lamp ignition or timed shutdown until power is reset (restrike timing is lamp wattage dependent).

Lamp Distance from Ballast..... Consult factory.
Lead Lengths
Side Lead Models 8"
Bottom Feed Models 10"
Safety Standard.....



Hatch Transformers, Inc.

7821 Woodland Center Boulevard Tampa, FL 33614 • Ph: 813-288-8006 • Fax: 813-288-8105 • www.hatchlighting.com

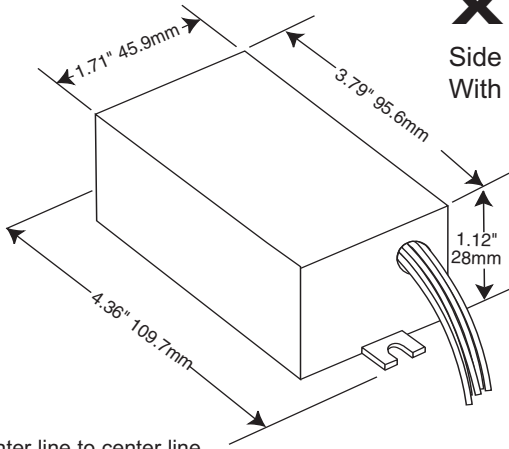
Electronic H.I.D. Ballasts

20 Watt Nano Slim

DIMENSIONS

X1.

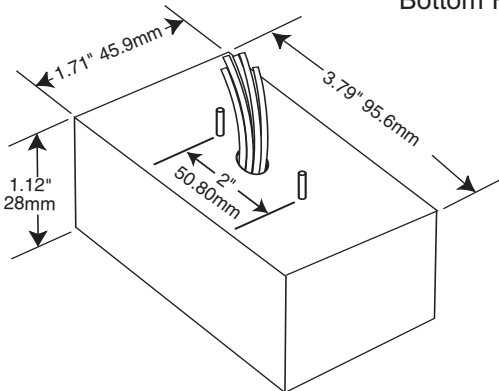
Side Leads
With Feet



Center line to center line
is .16" less than end to
end on models with
mounting feet.

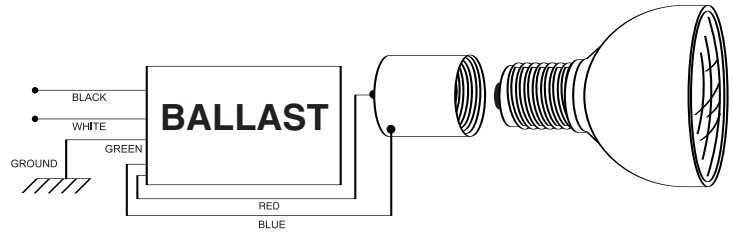
X2.

Bottom Feed

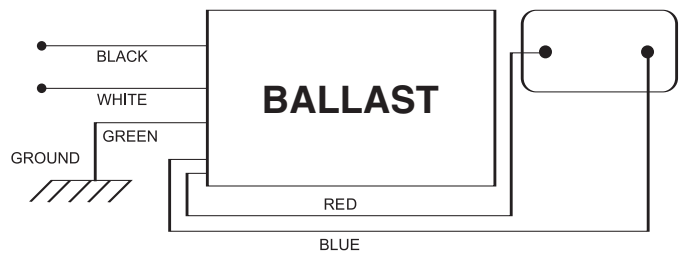


WIRING DIAGRAMS

For PAR Lamps



For Double Ended or Bi-Pin Lamps



| Watts | ANSI CODES | No. Lamps | Nominal Input Power | Input Current | Case Dim. | Hatch Item Number |
|-------|----------------------------|-----------|---------------------|--|-----------|--------------------------------|
| 20 | M156 SLi BriteSpot 20W* | 1 | 24 Watts | 120V-.20 Amps 208V-.12 Amps 240V-.10 Amps 277V-.09 Amps | X1 | MC20-1-F-120X MC20-1-F-277X |
| | | | | | X2 | MC20-1-J-120X MC20-1-J-277X |

* Call for manufacturers approval.

Specifications subject to change without notice. 0909

**Please call your Hatch representative or refer to the latest
Hatch Electronic Ballast/Lamp Matrix for specifics.**

HATCH

Hatch Transformers, Inc.

7821 Woodland Center Boulevard Tampa, FL 33614 • Ph: 813-288-8006 • Fax: 813-288-8105 • www.hatchlighting.com