



# WPTF42



JOB NAME: \_\_\_\_\_  
 DATE: \_\_\_\_\_  
 TYPE: \_\_\_\_\_

## DESCRIPTION

28 thru 42 watt compact fluorescent Tallpack. Vandal resistant polycarbonate housing. Heavy die-cast aluminum back plate with 1/2" bottom and back conduit opening. Factory installed 120V photocell with bypass cap included. Operating temperature 28w (-20°F), 26, 32 & 42w(0°F). Lamp supplied.

## SPECIFICATIONS

### UL Listing

Suitable for wet locations

### Reflector

Die formed aluminum for wide light distribution. Moveable Glare Shield for field adjustable light control slanted slightly downward for more light on the job

### Ballast Housing

Stamped steel painted white

### Back Plate

Heavy die cast aluminum. 1/2" bottom conduit knockout. Knockouts for mounting to 3" or 4" junction boxes

### Housing and Refractor

Vandal resistant polycarbonate molded refractor. Die cast aluminum back plate

### Ballast Minimum Starting Temperature

0°F

### Patents

The unique RAB Tallpack is protected by U.S. Patent D569,029; China Patent ZL200730149211.2; Taiwan Patent D124,864 and Canada Patent D121,993

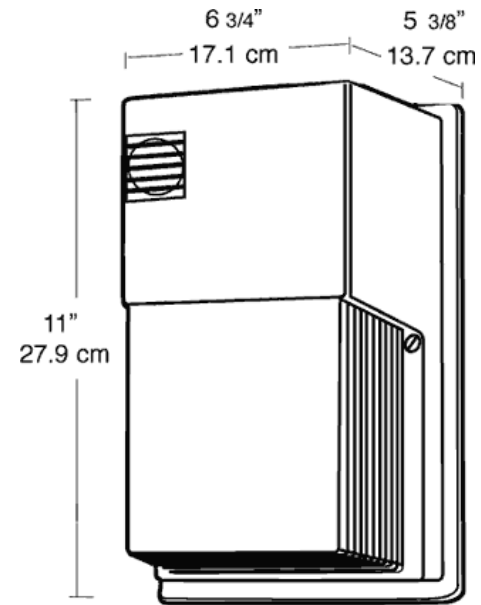
### Color

Bronze

### Weight

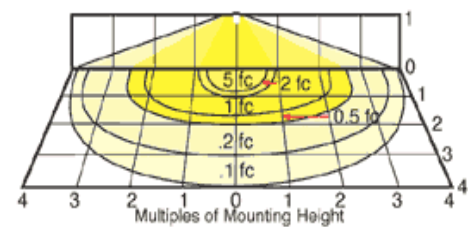
4.5

## DIMENSIONS



## PHOTOMETRIC

70w HPS @ 10' Mounting Height



| Mounting Height | Multiplier | HPS   |            | CFL              |            |
|-----------------|------------|-------|------------|------------------|------------|
|                 |            | Watts | Multiplier | Watts            | Multiplier |
| 8'              | 1.6        | 100   | 1.5        | 22               | .2         |
| 10'             | 1.0        | 70    | 1.0        | 42               | .5         |
| 12'             | .7         | 50    | .6         |                  |            |
| 16'             | .4         | 35    | .4         |                  |            |
| 20'             | .25        |       |            |                  |            |
|                 |            | MH    |            | Watts Multiplier |            |
|                 |            | 100   | 1.4        |                  |            |

## ORDERING INFORMATION

**Compact Fluorescent**  
Lamp supplied with fixture

| Total Watts | Lamp Type | Lamp Base      | Ballast     |
|-------------|-----------|----------------|-------------|
| 42          | 42W       | GX24q-4 Triple | Elec HPF QT |

| Starting Amps/ Operating Amps |      |      |      |
|-------------------------------|------|------|------|
| 120V                          | 208V | 240V | 277V |
| 0.38                          | 0.3  | 0.2  | 0.17 |

| Input Watts | LAMP ANSI | Initial Lumens | Lamp Hours |
|-------------|-----------|----------------|------------|
| 46.0        | 0         | 3000           | 10000      |

**Factory Installed Options**  
Add suffix to Catalog Number

Tamperproof screws (/TP)  
Swivel Photocontrol (/PCS)  
Single fusing for 120 and 277 volt (/F)

Double fusing for 208 and 240 volt (/FF)  
Button Photocontrol (/PC)

Note: Specifications may change without notice