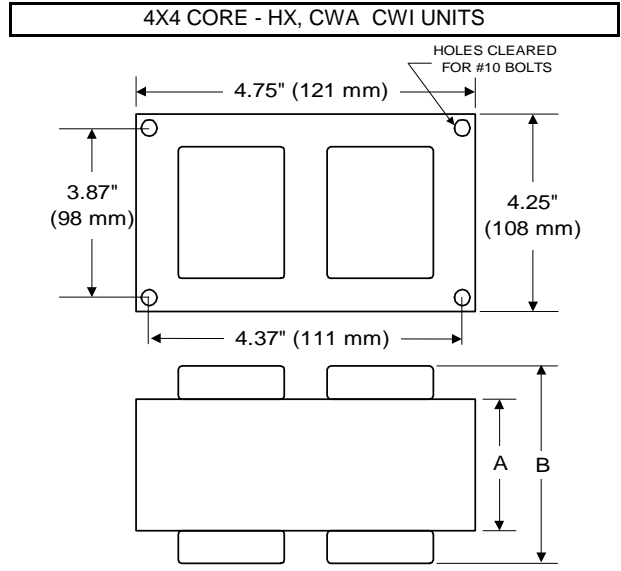


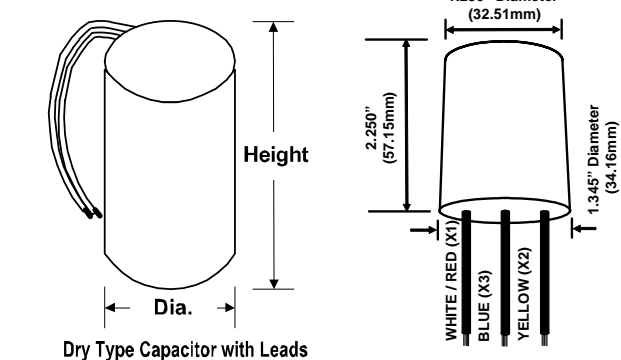
BALLAST SPECIFICATION

320W M132 / M154
Pulse Start Metal Halide
V90D7413
60 Hz CWA

Input Volts	120	208	240	277
Line Current (Amps)				
Operating	3.10	1.80	1.55	1.35
Open Circuit	1.60	0.95	0.80	0.75
Starting	2.60	1.50	1.35	1.15
Recommended Fuse (Amps)	8	5	4	4
Regulation				
Line Volts	±10%	±10%	±10%	±10%
Lamp Watts	±9%	±9%	±9%	±9%
Temperature Ratings				
Insulation Class	180 (H)	180 (H)	180 (H)	180 (H)
Coil Temperature Code	B	B	B	C
Benchtop Coil Rise	75.8	78.8	78.4	80.0
Power Factor (Min)	90%	90%	90%	90%
Input Watts	364 W	364 W	364 W	364 W
Efficiency	88%	88%	88%	88%
NOM. Open Circuit Voltage	280	280	280	280
Input Voltage At Lamp Dropout	70	120	140	155
Min Ambient Starting Temp	-20°F/-30°C*	-20°F/-30°C*	-20°F/-30°C*	-20°F/-30°C*
60 HZ TEST PROCEDURES				
High Potential Test (Volts)				
1 Minute	1,600 V	1,600 V	1,600 V	1,600 V
1 Second	1,900 V	1,900 V	1,900 V	1,900 V
Open Circuit Voltage Test (V)	250 - 305	250 - 305	250 - 305	250 - 305
Short Circuit Current Test (A)				
Secondary Current				
Min	3.05	3.05	3.05	3.05
Max	3.70	3.70	3.70	3.70
Input Current				
Min	2.00	1.20	1.00	0.90
Max	3.05	1.75	1.50	1.35
CORE and COIL Specifications				
Dimension (A)	2.00 in	2.00 in	2.00 in	2.00 in
Dimension (B)	4.15 in	4.15 in	4.15 in	4.15 in
Weight	10.0 lb's	10.0 lb's	10.0 lb's	10.0 lb's
Lead Lengths	12"	12"	12"	12"
Capacitor Requirement				
Microfarads	22.0 uf	22.0 uf	22.0 uf	22.0 uf
Volts (Min)	330 V	330 V	330 V	330 V



Capacitor:	ACG306	Ignitor:	BVS-041
Microfarads:	22.0 uf	Case Temp (Max):	105 °C
Volts (Max):	330 V	BTL Distance (Max):	2 ft
Case Temp (Max):	100 °C		
Height (Max):	3.68 in		
Dia (Max):	1.62 in		



Ordering Information Add Suffix for options

C - With Capacitor
 K - Prewired, with Capacitor and Bracket Kit
 B - With Welded Bracket, no cap
 CB - With Capacitor and Welded Bracket

* -40°F/-40°C Min Ambient Starting Temp with Venture Lamp
 Coil material: primary Al and secondary Al

RoHS compliant on all manufactured products after August 1, 2007

Data is based upon tests performed by Venture Lighting in a controlled environment and is representative of relative performance. Actual performance can vary depending on operating conditions. Specifications are subject to change without notice.

Complies with the Energy Independence and Security Act of 2007 and California Title 20 Appliance Efficiency Regulations