



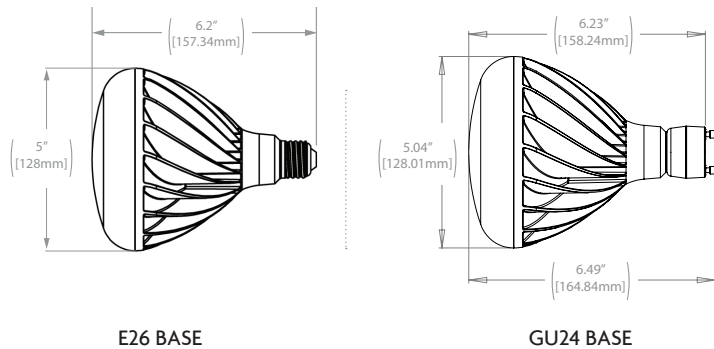
## DEFINITY™ BR40

### BENEFITS

- Dimmable to 5% of light on most dimmers.<sup>2</sup>
- 18 watts – 80% more efficient than comparable BR incandescent lamps.
- Maintenance free operation, lasts up to 25 times longer than incandescent lighting.
- Patent pending optical design achieves smooth beam pattern to achieve a warm room filling glow for general illumination applications.
- RoHS compliant – contains no mercury or lead.

### FEATURES<sup>1</sup>

Equivalent Source	
Standard	Up to 90W Incandescent BR
L70 lumen depreciation design criteria =	50,000 hours
Housing	Aluminum
Socket	E26/GU24
Operating Temperature	-20° C to +40° C
E26 MOL	6.2 in, 157.34mm
GU24 MOL	6.49 in, 164.84mm
Voltage	120 VAC
Weight	1lbs., 3 oz, 590g
Power Factor	≥.70
Warranty	5 year limited



Specifications supplied are nominal. Please refer to the DOE's Lighting Facts Tolerance Guidelines.  
<sup>1</sup> Values are nominal, advances from further innovation, specifications are subject to change.  
<sup>2</sup> See dimmer compatibility chart page on next page.



### ORDERING INFORMATION \ \ DFN BR40 WW 120

Family	Product	Color (CCT)	Voltage	Base
DFN Definity	BR40 BR40	W27 Warm White 2700K	120 120 Volt	(leave blank for E26 base)
		WW Warm White 3000K		GU24 GU24
		NW Neutral White 4000K		
		CW Cool White 5000K		

#### CERTIFICATIONS NORTH AMERICA



#### ENVIRONMENT



## DIMMER CAPABILITIES

**LUTRON DIMMERS:** ADRIANI AYLV-600 Interfaces PPHM-WBX w/DVF-103P; Panel Module Grafik Eye; Radio Ra RRD-6NA; Lutron HW-RPM-4U-120, QSG-6P, LP-RPM-4U-120, S-600PR-WH, DV-600PR-WH, DV-600, DVLV-600, NLY-600, AYLV-600, TG-600PR-WH, AY600P, Q600P, GL600, CN-600PHW, DV-603PG, S-600, S-600P, LG-600P, D-600PH, TT-300NLH, TG-603PG, DV-600PR-WH, MAELV-600-WH **OTHER DIMMERS:** Ace 34050, 3027596 Leviton 6633-PL, 6684, 6631, IPI06-1LX Legrand DrRD4W

Recommended number of lamps per 600 watt dimmer<sup>2</sup>

While an LED lamp may draw as few as 10 watts continuously, it could have an in-rush current spike (maximum, instantaneous input) which may limit the number of lamps you can install on one dimmer. The following table provides a recommended maximum quantity of DEFINITY lamps that should be used on a typical approved 600W dimmer.

Ex: Max number of A19 60W lamps, with an 80W in-rush, that can be used on 600W dimmer = 7

DFN LED Lamp	Lamp In-Rush Current Equivalent	Max # of Lamps per 600W Dimmer
BR40	90 W	6

## BR40

Part Number	Base Type	Watts	Lumens	Voltage	Efficacy	CRI	Life <sup>1</sup>
DFN BR40 NW 120	E26/GU24	18W	950	120	53	80	50,000
DFN BR40 WW 120	E26/GU24	18W	900	120	50	80	50,000
DFN BR40 W27 120	E26/GU24	18W	875	120	49	80	50,000
DFN BR40 CW 120	E26/GU24	18W	1006	120	56	67	50,000

NW: Neutral White WW: Warm White W27: Warm White 2700K CW: Cool White

Specifications supplied are nominal. Please refer to the DOE's Lighting Facts Tolerance Guidelines.

<sup>1</sup> Values are nominal, advances from further innovation, specifications are subject to change.

<sup>2</sup> Dimmer compatibility list indicates those dimmers that have been tested and operate properly under normal conditions. In certain cases, approved dimmers are offered in higher wattage varieties that are also compliant and allow the installation of additional lamps if kept within the maximum inrush current equivalent provided in the table. Each application is unique and various factors such as load, common neutrals or other electrical products on the circuit can, in certain instances, cause variance in system performance. Consult dimming system manufacturer for additional support in operation.

## Cautions

- Turn power off before inspection, installation, or removal.
- Risk of Electric Shock – Do not use where directly exposed to water or weather.
- For use in recessed fixtures.
- Suitable for use in indoor-dry and damp locations only.
- Do not open – no user serviceable parts inside.
- North America use on 120VAC, 50 - 60 Hz circuits.
- This device is not intended for use with emergency exit fixtures or emergency exit lights.
- Added weight of the device may cause instability of a free-standing portable luminaire.
- This device complies with Part 15 of the FCC rules and has been tested and found to comply with the limits for a Class B digital device. These limits are designed to provide reasonable protection against harmful interference in a residential installation. This equipment generates, uses and can radiate radio frequency energy and, if not installed and used in accordance with the instructions, may cause harmful interference to radio communications. Any changes or modifications not expressly approved by the manufacturer could void the user's authority to operate the equipment.