



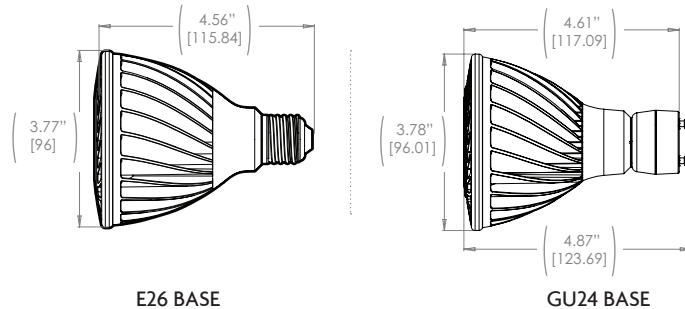
## DEFINITY™ PAR30 & PAR30 Hi-Output

### BENEFITS

- Dimmable to 5% of light on most dimmers.<sup>3</sup>
- Up to three unique beam distributions for application flexibility.
- Suitable for wet locations.
- 15/18 Watts – 80% more efficient than comparable 75/90 Watt Halogen lamps or Incandescent lamps.
- Maintenance free operation, lasts up to 16 times longer than incandescent lighting.
- Superior thermal management allows for product usage in recessed luminaires.
- Centralized optical package provides high quality point source beam versus pixilated designs.
- RoHS compliant – contains no mercury or lead.

### FEATURES<sup>1</sup>

Equivalent Source	
Standard	Up to 75W Halogen
High Output	Up to 90W Halogen
L70 lumen depreciation design criteria = 50,000 hours	
Early Submission ENERGY STAR Life = 25,000 hours <sup>2</sup>	
Housing	Aluminum,
Socket	E26/GU24
Beam Spread	15°, 25°, 40°
Spot, Narrow Flood, Flood	
Operating Temperature	-20° C to +40° C
E26 MOL	4.56 in, 115.847mm
GU24 MOL <sup>5</sup>	4.87 in, 123.69mm
Voltage	120VAC & 230VAC <sup>4</sup>
Weight	.099lbs., 450g
Power Factor	≥.70
Warranty	5 year limited



Specifications supplied are nominal. Please refer to the DOE's Lighting Facts Tolerance Guidelines.  
<sup>1</sup> Values are nominal, advances from further innovation, specifications are subject to change.  
<sup>2</sup> Early Submission ENERGY STAR Life = 25,000 hours (L70 lumen depreciation design criteria = 50,000 hours). For directional lamps, Energy Star early submission dictates that manufacturers can only claim 25,000 hour life with 3000 hour actual life test data, 6,000 hour LM80 data and in-situ temperature measurements. Once a product has been fully qualified, manufacturers may increase the lifetime of a product by demonstrating full compliance with the ENERGY STAR criteria at the new lifetime with Lumen Maintenance at the minimum required test period. Refer to Energy Star website.  
<sup>3</sup> See dimmer compatibility chart page on next page.  
<sup>4</sup> 230V available in non high output version only and utilizes E27 base.  
<sup>5</sup> Not available or rated for 230V



### ORDERING INFORMATION \ \ DFN 30 WW FL 120

Family	Product	Color (CCT)	Light Output	Distribution	Voltage	Base
DFN Definity	30 PAR30	W27 Warm White 2700K	(leave blank for standard)	NFL 25° Narrow Flood	120 120 Volt	(leave blank for E26 base)
		WW Warm White 3000K	V2 High Output	FL 40° Flood	230 230 Volt <sup>4</sup>	GU24 GU24
		NW Neutral White 4000K		SP 15° Spot		
		CW Cool White 5000K				

#### CERTIFICATIONS NORTH AMERICA



#### ENVIRONMENT





## DIMMER CAPABILITIES

### PAR30

**LUTRON DIMMERS:** ADRIANI AYLV-600; Commecrical Systems QSG-6P, LP-RPM-4A-120, QSG-6D, HW/LP-RPM-4U-120; **Diva DV-600, DVLV-600; Homeworks** HxD-6ND, HW-RPM-4U-120; **Interfaces** PHPM-WBX w/DVF-103P, PHPM-PA w/QSG-6D; **Lutron HW-RPM-4U-120, LP-RPM-4A-120, S-600PR-WH, DV-600PR-WH, NLV-600, TG-600PR-WH, AY600P, Q600P, GL600, CN-600PHW, DV-603PG, S-600, S-600P, LG-600P, D-600PH, TT-300NLH, TG-603PG, DV-600PR-WH, MAELV-600-WH NOVA NLV-600 Panel Module GP (Harrier) card w/GRX-3503 Stanza SZ-6ND **OTHER DIMMERS:** Ace 34050, 3027596 Leviton 6633-PL, 6684, 6631, IPI06-1LX Legrand DrRD4W**

### Recommended number of lamps per 600 watt dimmer<sup>3</sup>

While an LED lamp may draw as few as 10 watts continuously, it could have an in-rush current spike (maximum, instantaneous input) which may limit the number of lamps you can install on one dimmer. The following table provides a recommended maximum quantity of DEFINITY lamps that should be used on a typical approved 600W dimmer.

Ex: Max number of A19 60W lamps, with an 80W in-rush, that can be used on 600W dimmer = 7

DFN LED Lamp	Lamp In-Rush Current Equivalent	Max # of Lamps per 600W Dimmer
PAR30	115 W	5
PAR30 HO	125 W	4

## PAR30

Part Number	Base Type	Watts	Beam Angle <sup>1</sup>	Lumens	Voltage	Efficacy	CRI	CBCP	ENERGY STAR <sup>2, 4</sup>
DFN 30 NW NFL 120	E26/GU24	15W	25	800	120	53	85	3216	✓
DFN 30 WW NFL 120	E26/GU24	15W	25	725	120	48	85	3288	✓
DFN 30 W27 NFL 120	E26/GU24	15W	25	700	120	47	85	2821	✓
DFN 30 CW NFL 120	E26/GU24	15W	25	943	120	63	67	4000	
DFN 30 NW FL 120	E26/GU24	15W	40	770	120	51	85	1476	✓
DFN 30 WW FL 120	E26/GU24	15W	40	720	120	48	85	1398	✓
DFN 30 W27 FL 120	E26/GU24	15W	40	700	120	47	85	1297	
DFN 30 CW FL 120	E26/GU24	15W	40	943	120	63	67	1950	
DFN 30 NW SP 120	E26/GU24	15W	15	800	120	53	85	6114	✓
DFN 30 WW SP 120	E26/GU24	15W	15	725	120	48	85	4101	✓
DFN 30 W27 SP 120	E26/GU24	15W	15	710	120	47	85	5203	
DFN 30 CW SP 120	E26/GU24	15W	15	943	120	63	67	7600	

## PAR30 Hi-Output

Part Number	Base Type	Watts	Beam Angle <sup>1</sup>	Lumens	Voltage	Efficacy	CRI	CBCP	Life
DFN 30 NW V2 NFL 120	E26/GU24	18W	25	1000	120	56	85	3700	50,000
DFN 30 WW V2 NFL 120	E26/GU24	18W	25	950	120	53	85	3500	50,000
DFN 30 W27 V2 NFL 120	E26/GU24	18W	25	920	120	51	85	3450	50,000
DFN 30 CW V2 NFL 120	E26/GU24	18W	25	1060	120	59	67	4000	50,000
DFN 30 NW V2 FL 120	E26/GU24	18W	40	1000	120	56	85	1800	50,000
DFN 30 WW V2 FL 120	E26/GU24	18W	40	950	120	53	85	1700	50,000
DFN 30 W27 V2 FL 120	E26/GU24	18W	40	920	120	51	85	1600	50,000
DFN 30 CW V2 FL 120	E26/GU24	18W	40	1060	120	59	67	1950	50,000
DFN 30 NW V2 SP 120	E26/GU24	18W	15	1000	120	56	85	7100	50,000
DFN 30 WW V2 SP 120	E26/GU24	18W	15	950	120	53	85	6800	50,000
DFN 30 W27 V2 SP 120	E26/GU24	18W	15	920	120	51	85	6600	50,000
DFN 30 CW V2 SP 120	E26/GU24	18W	15	1060	120	59	67	7600	50,000

NFL: Narrow Flood FL: Flood SP: Spot NSP: Narrow Spot NW: Neutral White WW: Warm White W27: Warm White 2700K CW: Cool White CBCP: Center Beam Candle Power

<sup>4</sup>Energy Star certification applies to E26 base only, GU24 base certification is still in progress.

Specifications supplied are nominal. Please refer to the DOE's Lighting Facts Tolerance Guidelines.

<sup>1</sup>Values are nominal, advances from further innovation, specifications are subject to change.

<sup>2</sup>Early Submission ENERGY STAR Life = 25,000 hours (L70 lumen depreciation design criteria = 50,000 hours.) For directional lamps, Energy Star early submission dictates that manufacturers can only claim 25,000 hour life with 3000 hour actual life test data, 6,000 hour LM80 data and in-situ temperature measurements. Once a product has been fully qualified, manufacturers may increase the lifetime of a product by demonstrating full compliance with the ENERGY STAR criteria at the new lifetime with Lumen Maintenance at the minimum required test period. Refer to Energy Star website.

<sup>3</sup>Dimmer compatibility list indicates those dimmers that have been tested and operate properly under normal conditions. In certain cases, approved dimmers are offered in higher wattage varieties that are also compliant and allow the installation of additional lamps if kept within the maximum inrush current equivalent provided in the table. Each application is unique and various factors such as load, common neutrals or other electrical products on the circuit can, in certain instances, cause variance in system performance. Consult dimming system manufacturer for additional support in operation.

## Cautions

- Turn power off before inspection, installation, or removal.
- Risk of Electric Shock – Do not use where directly exposed to water or weather.
- For use in recessed fixtures.
- Suitable for wet locations.
- Do not open – no user serviceable parts inside.
- North America use on 120VAC, 50 - 60 Hz circuits.
- This device is not intended for use with emergency exit fixtures or emergency exit lights.
- Added weight of the device may cause instability of a free-standing portable luminaire.
- This device complies with Part 15 of the FCC rules and has been tested and found to comply with the limits for a Class B digital device. These limits are designed to provide reasonable protection against harmful interference in a residential installation. This equipment generates, uses and can radiate radio frequency energy and, if not installed and used in accordance with the instructions, may cause harmful interference to radio communications. Any changes or modifications not expressly approved by the manufacturer could void the user's authority to operate the equipment.