

INSTALLATION INSTRUCTION OF LED Wall Pack

Prior to Installation

Before installing light fixtures, read and understand all cautions, warnings, instructions, and product labels. Failure to do so could result in injury and/or void the warranty.

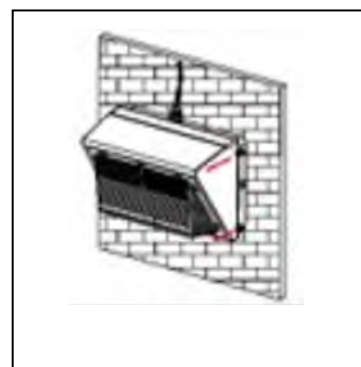
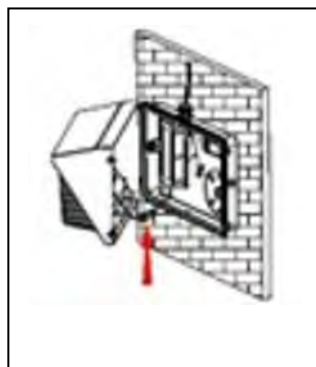
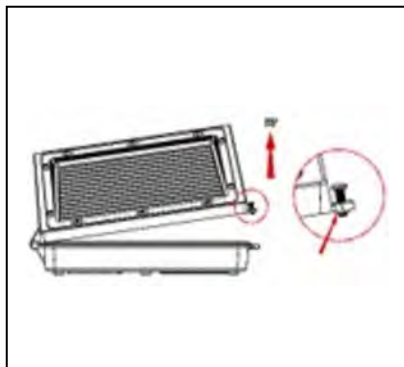
WARNING: Make sure power is OFF before installing or maintaining Fixture.

CAUTION

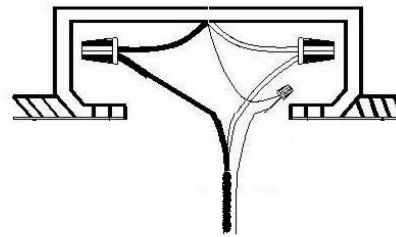
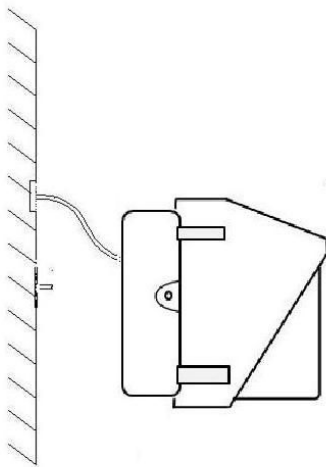
1. All work should be performed by a qualified electrician.
2. The wall should have the enough strength for installing the fixture; Its endurance must be more than the weight of fixture.
3. Failure to properly support the Fixture may cause damage or injury, for which the manufacturer is not responsible.

ASSEMBLY

1. Loosen the screws, Open the cover. See FIG.1
2. Mount the base to the wall by screws. See FIG.2
3. Assemble and lock the cover to base tightly with screws.



IMPORTANT: To weather-proof your outdoor installation, be sure to seal all mounting brackets with silicone sealant.



Wiring instructions.

Wiring method: Connect the black wire to the cable L (live wire), the white one to the cable N (neutral wire) and the yellow or green one to the cable G (ground) inside the outlet box (figure above). When the installation is completed, turn the light switch on and see if it works.



WARNING

Please see below for list of warnings.



The socket must contain the ground lead.



Please make sure the power supply complies with the rating of the fixture and make sure that the fixture has been installed correctly.



Make sure that the mounting fixture was done correctly before connecting to power source.



If the luminaire does not work normally, please refer to a professional maintenance worker to repair the fixture. Do not open the luminaire arbitrarily.

Guarantee Period

The Guarantee period of this product is 3 years, but the used environment and condition of use must be in compliance with the following terms:

- The employed source voltage can not exceed +/-10% of the rating voltage.
- The environment temperature can not be over 38 °C and below -30 °C.
- The environment humidity can not be more than 50% for a long period.