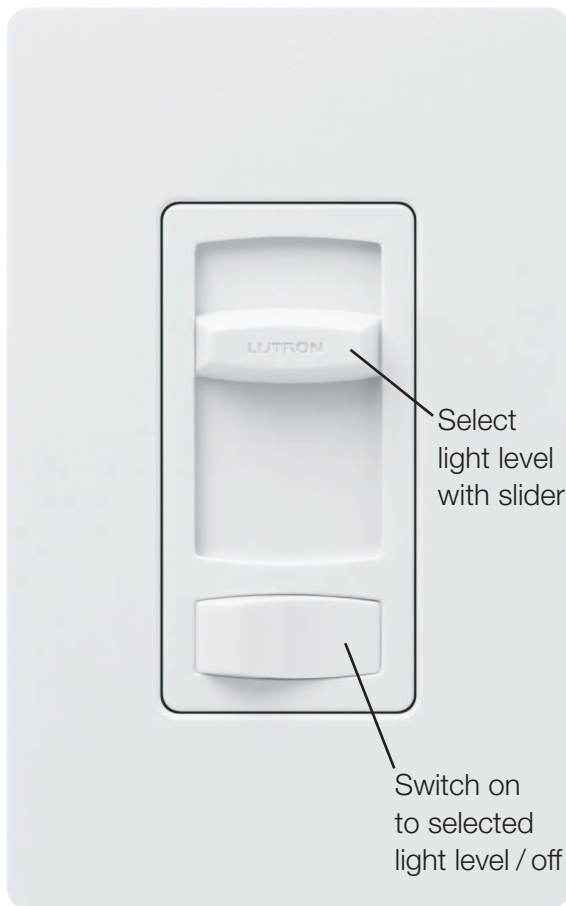


## Skylark Contour™ / C•L™ Dimmer

Dimmer for CFL • LED dimmable bulbs.

### Features

- On/off rocker switch with a captive linear-slide dimmer for a standard designer wallplate opening
- HED™ Technology: *Lutron's* advanced dimming circuitry designed for compatibility with most high efficacy light bulbs
- UL Listed to control:
  - Dimmable compact fluorescent (CFL) with integrated ballast
  - Dimmable LED with integrated driver
  - Halogen
  - Incandescent
- Low-end adjustment dial to accommodate a wide range of bulbs



\* Faceplate sold separately

## Specifications

### Regulatory Approvals

- UL Listed to US and Canadian safety standards UL1472 / CSA C22.2 184.1

### Power and Ratings

- 120 V~ 60 Hz
- 150 W Dimmable CFL/LED
- or**
- 600 W Incandescent/Halogen
- or**
- Mixed bulb type per *Multigang and Mixed Bulb Type Ratings* table (see page 3)

### Application Requirements

- **When using CFLs or LEDs, only bulbs marked or rated as Dimmable can be used.**
- For a complete list of approved DIMMABLE CFLs and LEDs please call 1.800.523.9466 or visit [www.lutron.com/dimcflled](http://www.lutron.com/dimcflled)

### Environment

- For indoor use only.
- Operating temperatures 0 °C (32 °F) to 40 °C (104 °F).

### Performance

- Power-failure memory
- Captive linear slider
- Electrostatic discharge tested
- Precise color matching
- Voltage compensation
- Mechanical air-gap switch to disconnect load power

### Warranty

- 1 Year Limited Warranty  
For additional Warranty information, please visit [http://www.lutron.com/TechnicalDocumentLibrary/369-119\\_Wallbox\\_Warranty.pdf](http://www.lutron.com/TechnicalDocumentLibrary/369-119_Wallbox_Warranty.pdf)

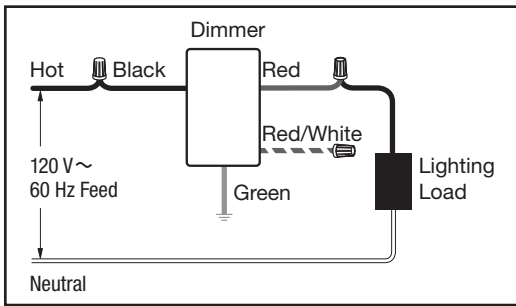
### Available Model Numbers

CTCL-153P- \_\_\_\_\_ Gloss Finish

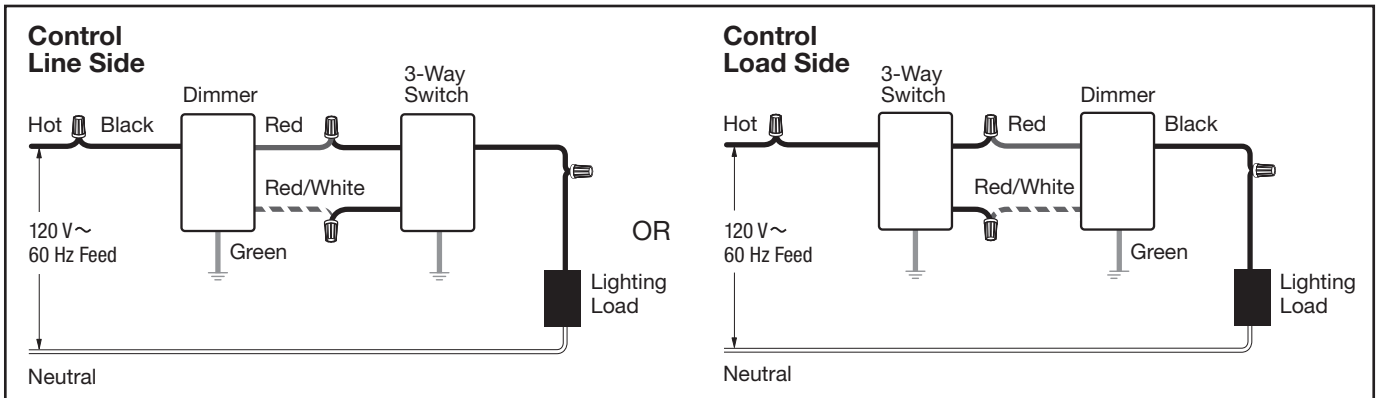
Job Name: <input style="width: 90%;" type="text"/>	Model Numbers: <input style="width: 95%;" type="text"/>
Job Number: <input style="width: 150px;" type="text"/>	<input style="width: 95%;" type="text"/>

## Wiring Diagrams

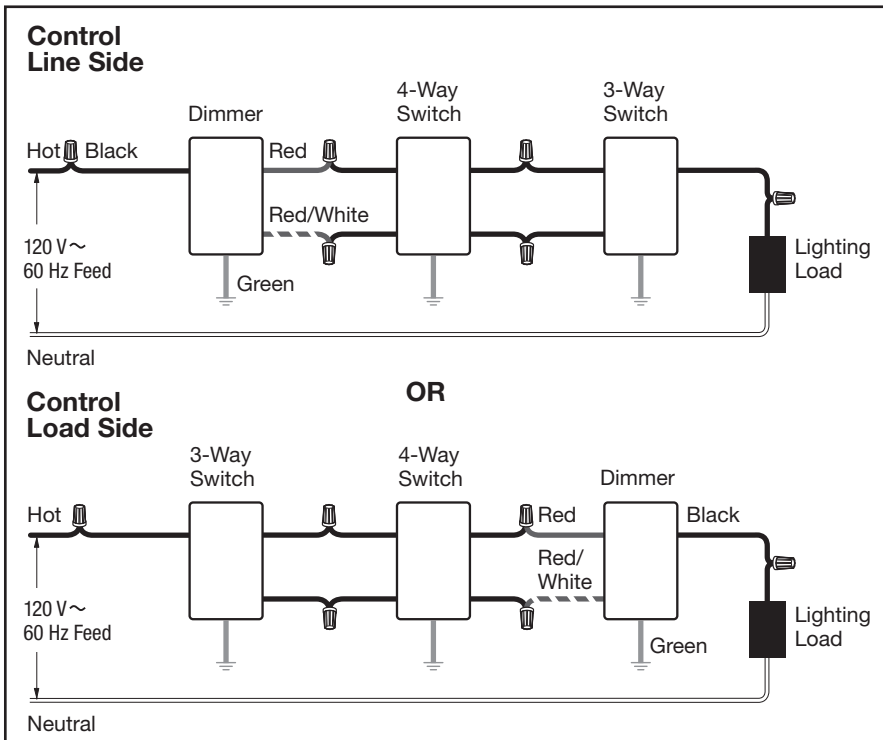
### Single-Pole Wiring



### 3-Way Wiring






### 4-Way Wiring



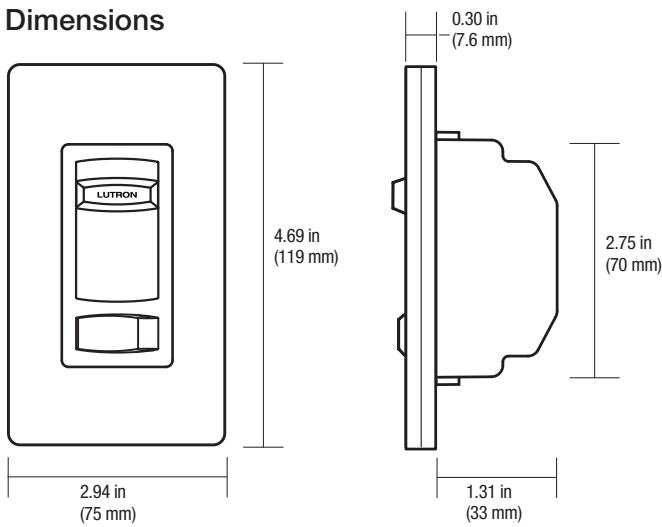
Job Name:	Model Numbers:	
<input type="text"/>	<input type="text"/>	<input type="text"/>
Job Number:	<input type="text"/>	<input type="text"/>

**Multigang and Mixed-Bulb-Type Ratings**

Total CFL•LED Wattage Installed (Watts per bulb x # of bulbs)	 CFL  LED	Maximum Allowable Incandescent/Halogen Wattage* 		
		No sides removed	1 side removed	2 sides removed
0 W	+	600 W	500 W	400 W
1 W – 25 W	+	500 W	400 W	300 W
26 W – 50 W	+	400 W	300 W	200 W
51 W – 75 W	+	300 W	200 W	100 W
76 W – 100 W	+	200 W	100 W	50 W
101 W – 125 W	+	100 W	50 W	0 W
126 W – 150 W	+	0 W	0 W	0 W

Job Name: <input style="width: 90%;" type="text"/>	Model Numbers: <input style="width: 60%;" type="text"/> <input style="width: 40%;" type="text"/>	
Job Number: <input style="width: 100%;" type="text"/>	<input style="width: 100%;" type="text"/>	<input style="width: 100%;" type="text"/>

**Dimensions**



**Standard Colors and Finishes**

**Gloss Finishes**

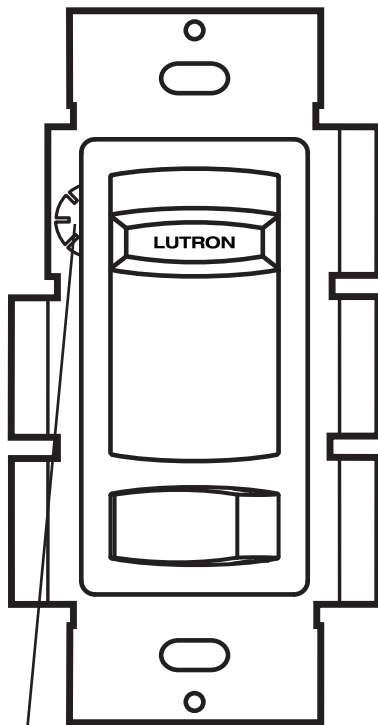
Add color suffix to model #

**Example: CTCL-153P-WH**

WH	White
IV	Ivory
AL	Almond
LA	Light Almond
GR	Gray
BR	Brown
BL	Black

**Low-End Adjustment Dial**

View with faceplate removed



Low-End Adjustment Dial

Job Name: <input style="width: 90%;" type="text"/>	Model Numbers: <input style="width: 60%;" type="text"/> <input style="width: 35%;" type="text"/>	
Job Number: <input style="width: 15%;" type="text"/>	<input style="width: 25%;" type="text"/>	<input style="width: 60%;" type="text"/>