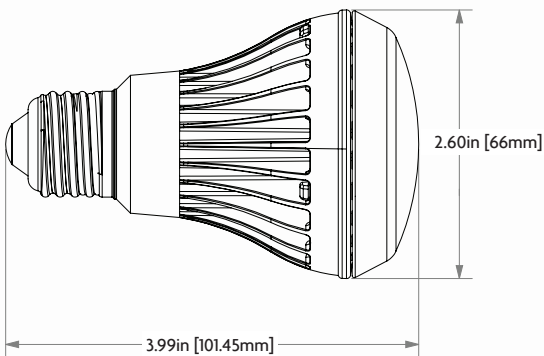


BR20



ENERGY STAR  
equivalency performance  
for 50W Incandescent  
BR20 replacement - up to  
84% more efficient

- 8 Watts
- 450 lumens
- High Efficacy of 56 lm/w
- Dimmable
- Rated Life up to 50,000 hr
- Color Temperature 2700 – 5000K CCT

  
**LightingScience®**  
Welcome to the Light Ages™

©2012 Lighting Science Group Corporation. All rights reserved.

877-999-5742 | [www.lsgc.com](http://www.lsgc.com)  
1227 South Patrick Drive | Satellite Beach, FL 32937

# DEFINITY™ BR20





Part Number	Wattage	Base Type	Lumens	Efficacy	CRI
DFN BR20 NW 120	8W	E26	475	59	80
DFN BR20 WW 120	8W	E26	465	58	80
DFN BR20 W27 120	8W	E26	465	58	80
DFN BR20 CW 120	8W	E26	525	66	67

NFL: Narrow Flood FL: Flood NW: Neutral White WW: Warm White W27: Warm White 2700K CW: Cool White

## ORDERING INFORMATION \ \ DFN BR20 WW 120

Family	Product	Color (CCT)	Voltage
DFN Definity	BR20 BR20	W27 Warm White 2700K	120 120 Volt
		WW Warm White 3000K	
		NW Neutral White 4000K	
		CW Cool White 5000K	

CERTIFICATIONS NORTH AMERICA	ENVIRONMENT	BR20 Diameter & MOL
  		MOL: 3.99in, 101.45mm
		Diameter: 2.60in, 66mm