

# INSTALLATION & OPERATION INSTRUCTIONS

## IMPORTANT SAFEGUARDS

1. READ AND FOLLOW ALL SAFETY INSTRUCTIONS.
2. Review the diagrams thoroughly before installation. If you feel you do not have electrical wiring experience, refer to a do-it-yourself wiring handbook or have your fixture installed by a qualified licensed electrician.
3. All electrical connections must be in accordance with local codes, ordinances, and the National Electric Code. If you are unfamiliar with methods of installing electrical wiring, secure the services of a qualified electrician.
4. Before starting the installation, disconnect the power by turning off the circuit breaker or by removing the appropriate fuse at the fuse box. Turning the power off using the light switch is not sufficient to prevent electrical shock.
5. Do not let power supply cords touch hot Surfaces.
6. Do not mount near gas or electric heaters.
7. Use caution when servicing batteries. Battery acid can cause burns to skin and eyes. If acid is spilled on skin or in eyes, flush acid with fresh water and contact a physician immediately.
8. Equipment should be mounted in location and at heights where it will not readily be subject to tampering by unauthorized personnel.
9. The use of accessory equipment not Recommended by the manufacturer may cause an unsafe condition.
10. Do not use this equipment for other than intended use.
11. All servicing should be performed by qualified personnel only.
12. Allow battery to charge for 24 hours before first use.

## UNPACK THE FIXTURE

Check the contents of the box. You should receive:

- 1- Emergency light equipment
- 2- Parts Bag

## WALL MOUNTING

1. Use flat blade screwdriver into the slot and gently pry off the housing.(see Fig.1)
2. Remove battery from back plate.

3. Remove the knock out hole on center and knock out slot on the back plate that corresponds to junction box holes to used. (see Fig.2)
4. Feed Transformer leads through center hole on the back plate, then make the proper supply lead connections. See electrical connection below. Cap off unused hot lead.
5. Mount back plate to junction box with screw provide 8#32X1" long.
6. Replace battery on back plate, connect red lead to battery positive terminal, connect green lead to battery negative terminal.
7. Snap top cover to back plate.
8. Restore power and press test button. Battery-powered bulbs will come on. AC light will turn Off.

## CONDUIT INSTALLATION

1. Use flat blade screwdriver into the slot and gently pry off the housing.(see Fig.1)
2. Remove knock out hole from back plate. (see Fig.3)
3. Secure the mounting plate to conduit with nut.
4. Pass white (neutral) and either black 120V or orange 277V hot wire leads through center hole of mounting plate. make electrical connections in junction box, see electrical connection below. You may use hanging hook to hang fixture while making connection. Cap off unused hot lead.
5. Connect red lead to battery positive terminal.
6. Snap top cover to back plate.
7. Restore power and press test button Battery powered bulb will come on . AC light will turn off.

## ELECTRICAL CONNECTIONS

Connect white lead wire from fixture to white (neutral) wire supply feed from circuit. Connect black 120V or orange 277V (depending on supply voltage) lead wire from fixture to black (hot) wire from supply circuit. Use U.L. Listed wire connectors suitable for the size, type, and number of conductors. No loose strands or loose wires should be present. Secure wire connectors with U.L. listed electrical tape.

## RELAMPING

1. Insert blade screwdriver into the slot between lamp cover and lamp body and then push gently to remove lamp cover.
2. Install bulb.

## OPENING TOP COVER

Use flat blade screwdriver into the slot and gently pry off the housing.

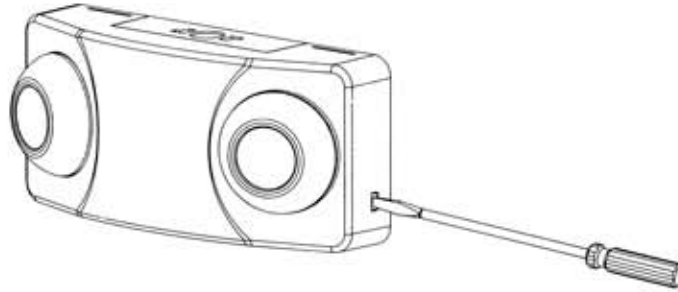


Fig.1

## WALL MOUNTING

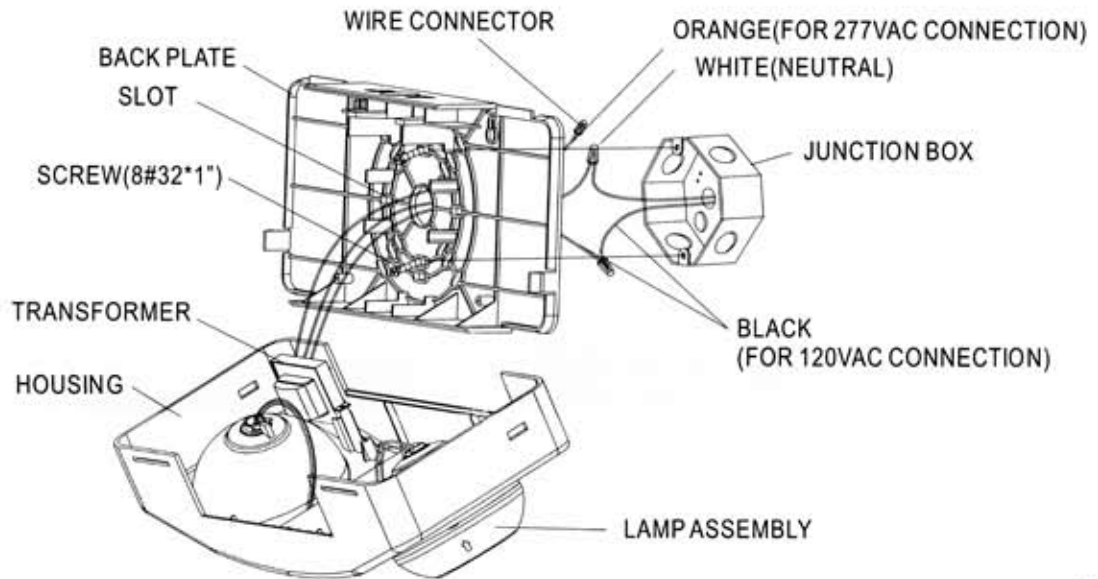


Fig.2

## CONDUIT MOUNTING

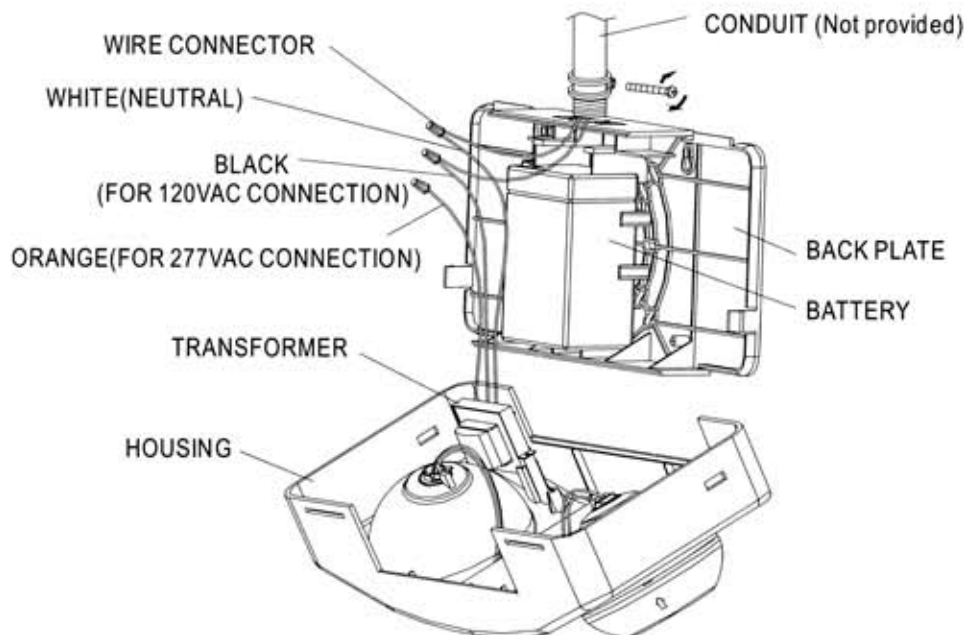


Fig.3