



EnduraLED 6W 2700K R20 Dimm

Product family description

The Philips EnduraLED™ R20 (NR-63) floods make downlighting simple. With only 7 watts of power and very long life, they eliminate the hassle of repeated re-lamping in busy areas. Installation into existing fixtures brings innovation to familiar applications.

Features

- Emits virtually no UV/IR light in the beam.
- Will not fade colors, avoids inventory spoilage.
- Designed to last 40,000 hours rated average life(2) (3).
- Instant-on light.
- Contains no mercury.
- Dims to 10% of full light levels with excellent beam control (Designed for "Leading Edge" TRIAC dimming systems).
- 7Watt Warm and Cool White versions.

Benefits

- Philips is the global leader in light and a leader in LED technology.
- Philips knows LED light and stands behind the EnduraLED products with a warranty.
- Philips' commitment to innovation and quality provides the confidence of partnering with an industry leader.

Application

- Ideal for general lighting in retail, hospitality, and residential spaces.

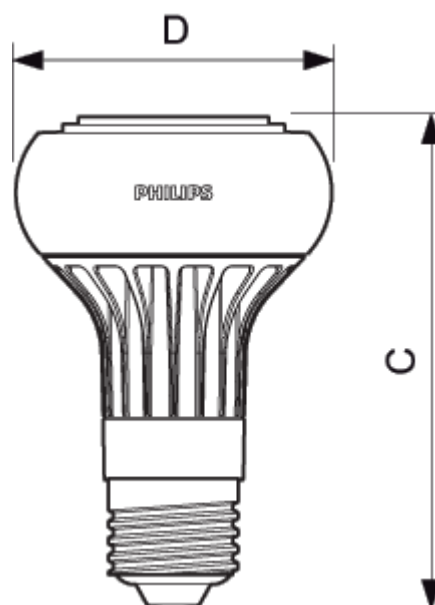
Product data	
Product Number	408260
Full product name	EnduraLED 6W 2700K R20 Dimm
Ordering Code	408260
Pack type	
Pieces per Sku	1
Skus/Case	6
Pack UPC	046677408268

PHILIPS

Product data	
EAN2US	
Case Bar Code	50046677408263
Successor Product number	
Additional Information	Dimmable
Cap-Base	E26
Bulb	R20
Average Lifetime	45000 hr
Pack UPC	046677408268
Case Bar Code	50046677408263
Ordering Code	6R20/END/F25 4000 DIM
Wattage	6W
Dimmable	Yes
Color Code	WH
Color Designation (text)	White
Correlated Color Temperature	2700 K
Luminous Flux	200 Lm
Luminous Intensity	900 cd
Color rendering index	81
Color Temperature	2700K [CCT 2700K]
Product Number	408260



EnduraLED E26 R20



EnduraLED E26 PAR20/R20



©2009 Koninklijke Philips Electronics N.V.

All rights reserved. Reproduction in whole or in part is prohibited without the prior written consent of the copyright owner. The information presented in this document does not form part of any quotation or contract, is believed to be accurate and reliable and may be changed without notice. No liability will be accepted by the publisher for any consequence of its use. Publication thereof does not convey nor imply any license under patent- or other industrial or intellectual property rights.

Document order number : 0000 000 00000