



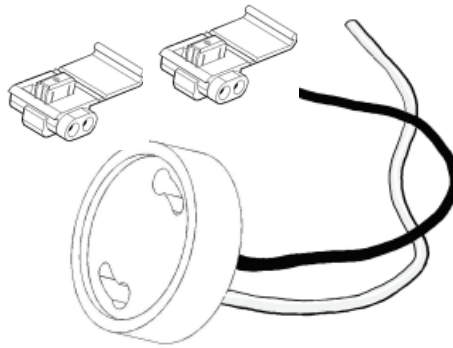
GU-24 SOCKET ASSEMBLY WHIP INSTALLATION

Parts:

- Gu-24 Socket with two wires (white & black)
- (2) Insulation Displacement Connectors

Tools Needed:

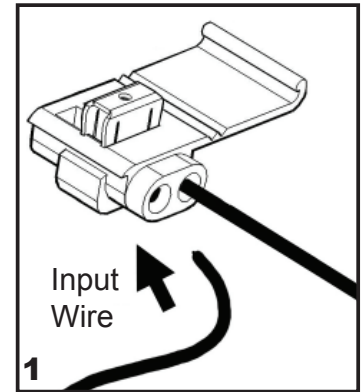
- Pliers to Crimp connectors on wires



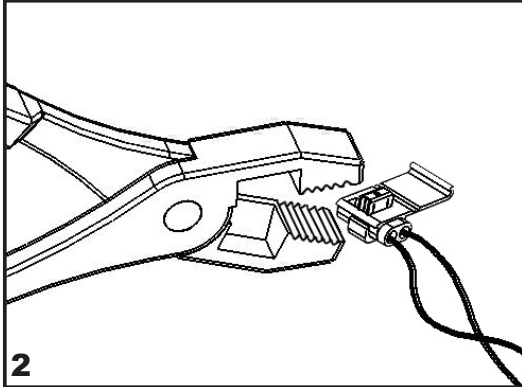
CAUTION:

**TURN OFF POWER TO FIXTURE BEFORE
CONNECTING GU-24 SOCKET TO FIXTURE
INPUT WIRES.**

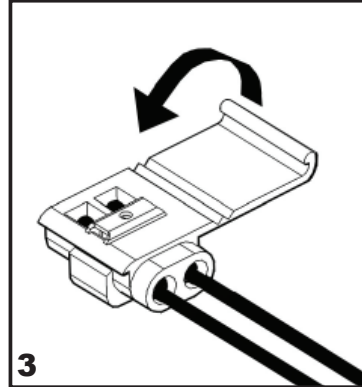
*See Installation instructions for fixture for
further assembly instructions.*



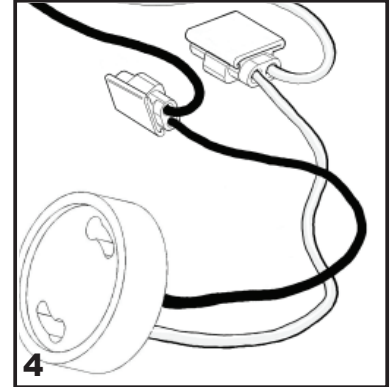
1. Insert blunt cut Black wires of both input and whip fully into one connector.



2. Crimp down on metal blade with medium pressure until swing door can be closed and locked.



3. Fold over swing door until it snaps closed. Repeat procedure 1-3 for white wires.



4. Socket is now ready to be used to connect new fixture.