



## EnduraLED MR16 4W 4000K 12V 1CT

### Product family description

Philips EnduraLED MR16 Lamps provide ambient level light to illuminate hard to maintain applications. Increased transformer compatibility allows for operation on a wider range of transformers. Available in flood and spot versions, these lamps are ideal for track and open recessed fixtures in rooms, hallways, lobbies and retail displays.

### Features

- Ideal for accenting objects at close distances.
- Instant-on light.
- Superior Long Life
- 3-Year limited warranty.
- Contains no mercury.
- Emits virtually no UV/IR light in the beam.

### Benefits

- Will not fade colors, avoids inventory spoilage.
- Lowers site maintenance costs by reducing re-lamp frequency.
- Delivers quality white light in a crisp uniform beam.

### Application

- Suited for accent and architectural lighting in Retail and Hospitality spaces.

Product data	
Product Number	408286
Full product name	EnduraLED MR16 4W 4000K 12V 1CT
Ordering Code	408286
Pack type	
Pieces per Sku	1
Skus/Case	10
Pack UPC	046677408282
EAN2US	
Case Bar Code	50046677408287
Successor Product number	
Additional Information	TC [TC]
Cap-Base	GU5.3

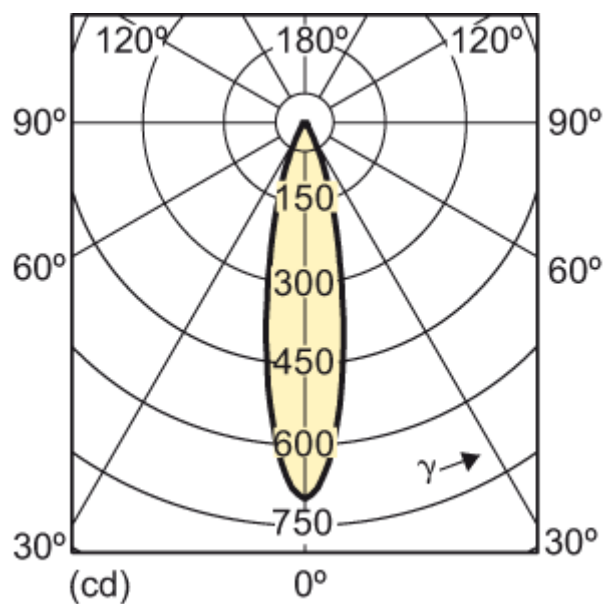
# PHILIPS

Product data	
Bulb	MR16 [MR 16inch/50mm]
Average Lifetime	45000 hr
Pack UPC	046677408282
Case Bar Code	50046677408287
Ordering Code	4MR16/END/4000 12V
Wattage	4W
Dimmable	No
Technical Type	4-20W
Color Code	CW
Color Designation (text)	Cool White
Correlated Color Temperature	4000 K
Luminous Intensity	720 cd
Color rendering index	80
Color Temperature	4000K [CCT 4000K]
Diameter D	50.1 mm
Overall Length C	46.02 mm
Product Number	408286

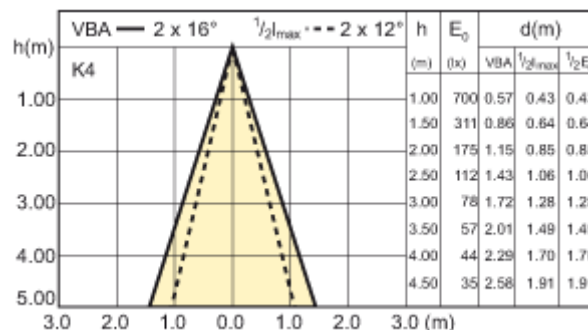
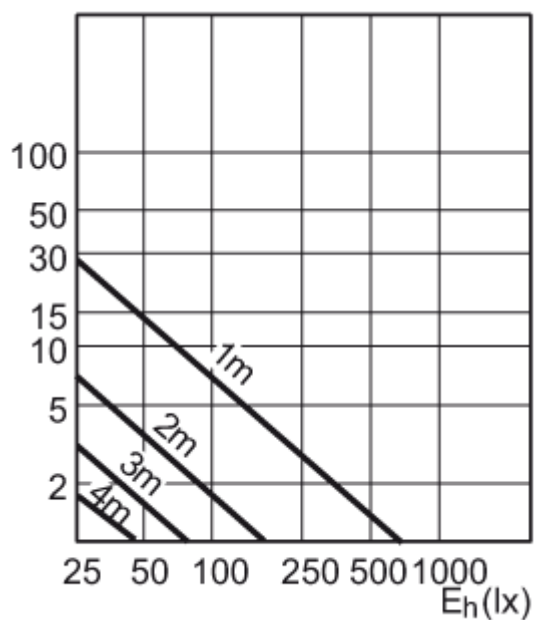


MASTER LEDspotLV MR16

EnduraLED MR16 4W GU5.3 MR16 -

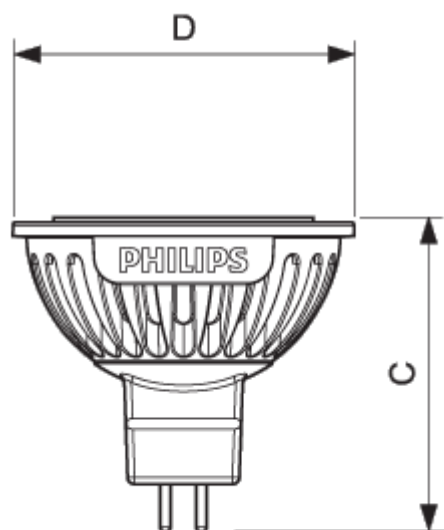


EnduraLED MR16 4W GU5.3 4000K MR16 24D



EnduraLED MR16 4W GU5.3 4000K MR16 24D

EnduraLED MR16 4W GU5.3 4000K MR16 24D



EnduraLED MR16 4W GU5.3 MR16 -/0005

	C	D
Full product name	Nom	Nom
EnduraLED MR16 4W 4000K 12V ICT	46.02	50.1



©2009 Koninklijke Philips Electronics N.V.

All rights reserved. Reproduction in whole or in part is prohibited without the prior written consent of the copyright owner. The information presented in this document does not form part of any quotation or contract, is believed to be accurate and reliable and may be changed without notice. No liability will be accepted by the publisher for any consequence of its use. Publication thereof does not convey nor imply any license under patent- or other industrial or intellectual property rights.

Document order number : 0000 000 00000