

6" Recessed Downlight

LR6-DR650

Product Description

The LR6-DR650 is a recessed architectural downlight that utilizes Cree TrueWhite® Technology to deliver 650 lumens of high quality light, with an exceptional efficacy of 54 lumens per watt. Its excellent CRI of 90 brings out the true beauty of applications ranging from offices, schools, hospitals, restaurants, airports, hotels, and homes. US Patent #7,213,940. Numerous patents pending.

Performance Summary

- Utilizes Cree TrueWhite® Technology
- Delivered Light Output = 650 lumens
- Input Power = 12 Watts
- CRI = 90
- CCT = 2700K or 3500K
- Dimmable to 20%
- Five Year Warranty

Ordering Information

Intended for use with Cree H6 Housing, may be retrofitted into 6" housings from select manufacturers using the supplied GU24 whip adapter.

Light Engine

- LR6-DR650 - 120V, Incandescent Color (2700K), GU24 Base
- LR6C-DR650 - 120V, Neutral Color (3500K), GU24 Base

Accessories - Reference accessory product information sheets for more detail

Accessory Trims

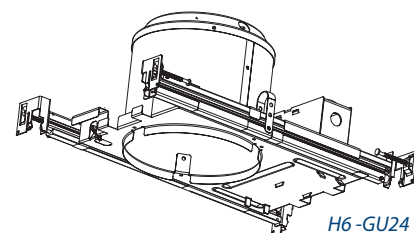
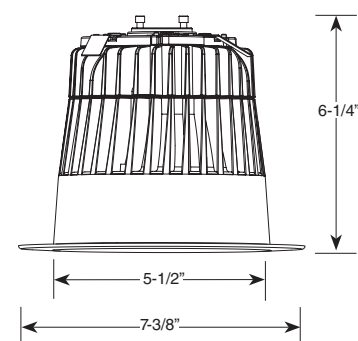
- LT6A-DR - Diffuse anodized
- LT6AW-DR - Wheat diffuse anodized
- LT6AP-DR - Pewter diffuse anodized
- LT6AB-DR - Black anodized
- LT6BB-DR - Flat black
- LT6WH-DR - Smooth white

Housings

- H6 - Architectural
- RC6 - New construction
- RR6 - Retrofit
- SC6 - Surface mount
- SC6-CM - Cord mount
- SC6-WM - Wall mount



LR6C-DR650



LR6-DR650

6" Recessed Downlight

Product Information

Cree TrueWhite® Technology

- A better way to generate white light that utilizes a patented mixture of unsaturated yellow and saturated red LEDs.
- Tuned to optimal color point before shipment.
- Color management system maintains color consistency over time and temperature.
- Designed to last 50,000 hours and maintain at least 70% of initial lumen output in IC and non-IC installations.

Construction

- Durable die-cast aluminum upper housing, lower housing, and upper cover.
- Integrated thermal management system conducts heat away from LEDs and transfers it to the surrounding environment. LED junction temperatures stay below specified maximums.
- Designed for use with H6 housing from Cree, 6" recessed architectural housing with rugged, integral, extruded aluminum bar (h = 7").

Optical System

- Proprietary optical system utilizes a unique combination of reflective and refractive optical components to achieve a uniform, comfortable appearance. Pixelation and direct view of unshielded LEDs are eliminated.
- White Lower Reflector balances brightness of refractor with the ceiling to create comfortable high-angle appearance. Works with refractor to deliver an optimized distribution that illuminates walls and vertical surfaces increasing the perception of spaciousness.

Electrical System

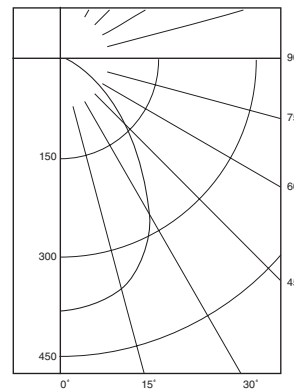
- Integral, high efficiency driver and power supply.
- Power factor > 0.9
- Input voltage = 120V, 60Hz.
- Dimmable to 20% with certain incandescent dimmers (reference www.CreeLEDLighting.com for recommended dimmers).

Regulatory and Voluntary Qualifications

- cULus listed®. Suitable for damp locations.
- Utilize GU-24 base for new construction projects in California or other areas where high efficacy line voltage sockets are required.
- Exceeds California Title-24 high efficacy luminaire requirements.

Photometry

LR6-DR650
Based on OnSpex 30012426-F



Intensity (Candlepower) Summary

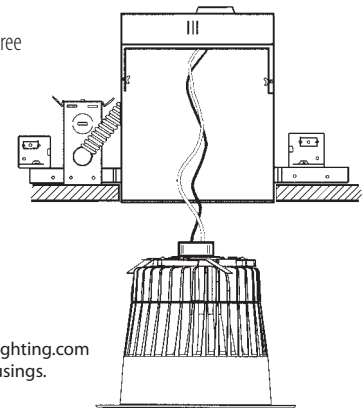
ANGLE	MEAN CP
0°	388
5°	386
15°	364
25°	301
35°	214
45°	134
55°	78
65°	39
75°	21
85°	4
90°	0

Zonal Lumen Summary

ZONE	LUMENS	%LAMP	%FIX
0° - 30°	276	42.42	42.42
0° - 40°	409	62.89	62.89
0° - 60°	583	89.71	89.71
0° - 90°	650	100.00	100.00

Installation

- Designed to easily install in Cree H6 and 6" housings from select manufacturers.*
- Quick install system utilizes a unique retention feature. Simply attach socket to LR6-DR650. Move light to ready position and slide into housing.



* Reference www.CreeLEDLighting.com for a list of compatible housings.



Cree LED Lighting
Morrisville • NC • 27560 • USA
1-919-287-7700 Fax 1-919-991-0730
www.CreeLEDLighting.com

Cree, Inc. All rights reserved. Stated performance values are nominal. The information in this document is subject to change without notice. Cree and TrueWhite are registered trademarks, and Cree LED Lighting, the Cree LED Lighting logo, Cree TrueWhite, the Cree TrueWhite Technology logo, Lighting the LED Revolution, CR6, LE6, LR4, LR6, LR24, LBR-30 and LRP-38 are trademarks of Cree, Inc.
LR6-DR650PI-10/2010