



EnduraLED 12W 2700K PAR30L Dimmable

Product family description

The Philips EnduraLED™ PAR indoor reflectors with high brightness LEDs are suited for track and recessed lighting. Energy saving, long life LED PAR long and short lamps install into existing fixtures, can lower cost with reduced wattage and re-lamping frequency.

Features

- Soft white light.
- Ideal for overhead track fixtures.
- High brightness indoor flood lamps.
- Application performance close to 50W Halogen PAR.
- Offers 15 year rated average life, if operated 8 hours per day, 7 days per week.
- Smooth dimming to 10% of full light levels (Designed for "Leading Edge" TRIAC dimming systems)
- Available in 11Watt Par30L and Par30S in Soft White, Warm White, and Cool White versions

Benefits

- Philips is the global leader in light and a leader in LED technology.
- Philips knows LED light and stands behind the EnduraLED products with a warranty.
- Philips' commitment to innovation and quality provides the confidence of partnering with an industry leader.

Application

- Perfect for track and recessed lighting.

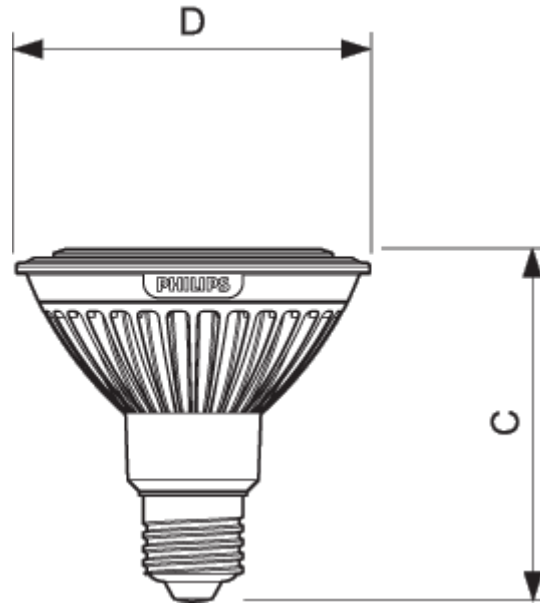
Product data	
Product Number	410142
Full product name	EnduraLED 12W 2700K PAR30L Dimmable
Ordering Code	410142
Pack type	
Pieces per Sku	1
Skus/Case	6
Pack UPC	046677410148

PHILIPS

Product data	
EAN2US	
Case Bar Code	50046677410143
Successor Product number	
Additional Information	Dimmable
Bulb	PAR30L
Average Lifetime	45000 hr
Pack UPC	046677410148
Case Bar Code	50046677410143
Ordering Code	12PAR30L/END/2700/DIMM/22D
Wattage	12W
Dimmable	Yes
Color Code	WW
Color Designation (text)	Warm White
Correlated Color Temperature	2700 K
Luminous Flux	660 Lm
Luminous Intensity	2900 cd
Color Temperature	2700K [CCT 2700K]
Product Number	410142



EnduraLED E26 PAR30L



EnduraLED E26/E27 PAR30L/PAR30S



©2009 Koninklijke Philips Electronics N.V.

All rights reserved. Reproduction in whole or in part is prohibited without the prior written consent of the copyright owner. The information presented in this document does not form part of any quotation or contract, is believed to be accurate and reliable and may be changed without notice. No liability will be accepted by the publisher for any consequence of its use. Publication thereof does not convey nor imply any license under patent- or other industrial or intellectual property rights.

Document order number : 0000 000 00000