



# EnduraLED 12W 3000K PAR30L Dimmable

## Product family description

The Philips EnduraLED™ PAR indoor reflectors with high brightness LEDs are suited for track and recessed lighting. Energy saving, long life LED PAR long and short lamps install into existing fixtures, can lower cost with reduced wattage and re-lamping frequency.

## Features

- Soft white light.
- Ideal for overhead track fixtures.
- High brightness indoor flood lamps.
- Application performance close to 50W Halogen PAR.
- Offers 15 year rated average life, if operated 8 hours per day, 7 days per week.
- Smooth dimming to 10% of full light levels (Designed for "Leading Edge" TRIAC dimming systems)
- Available in 11Watt Par30L and Par30S in Soft White, Warm White, and Cool White versions

## Benefits

- Philips is the global leader in light and a leader in LED technology.
- Philips knows LED light and stands behind the EnduraLED products with a warranty.
- Philips' commitment to innovation and quality provides the confidence of partnering with an industry leader.

## Application

- Perfect for track and recessed lighting.

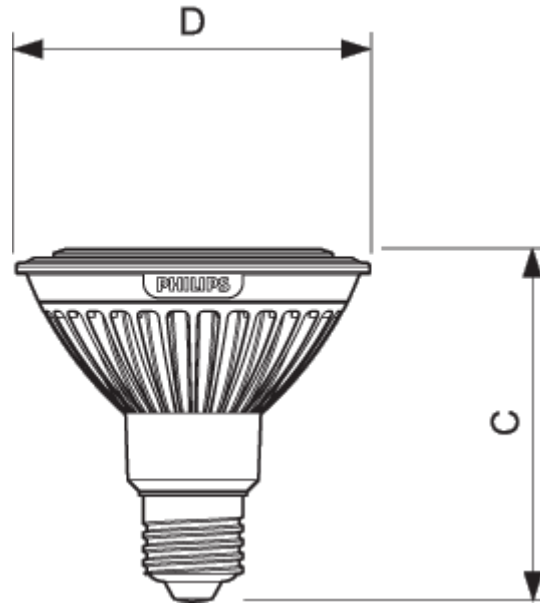
Product data	
Product Number	410159
Full product name	EnduraLED 12W 3000K PAR30L Dimmable
Ordering Code	410159
Pack type	
Pieces per Sku	1
Skus/Case	6
Pack UPC	046677410155

# PHILIPS

Product data	
EAN2US	
Case Bar Code	50046677410150
Successor Product number	
Additional Information	Dimmable
Bulb	PAR30L
Average Lifetime	45000 hr
Pack UPC	046677410155
Case Bar Code	50046677410150
Ordering Code	12PAR30L/END/3000 DIMM/22D
Wattage	12W
Dimmable	Yes
Color Code	WH
Color Designation (text)	White
Correlated Color Temperature	3000 K
Luminous Flux	700 Lm
Luminous Intensity	3100 cd
Color Temperature	3000K [CCT 3000K]
Product Number	410159



EnduraLED E26 PAR30L



EnduraLED E26/E27 PAR30L/PAR30S



©2009 Koninklijke Philips Electronics N.V.

All rights reserved. Reproduction in whole or in part is prohibited without the prior written consent of the copyright owner. The information presented in this document does not form part of any quotation or contract, is believed to be accurate and reliable and may be changed without notice. No liability will be accepted by the publisher for any consequence of its use. Publication thereof does not convey nor imply any license under patent- or other industrial or intellectual property rights.

Document order number : 0000 000 00000