

| | |
|----------|---------------|
| Project: | Toshiba Lamp: |
| Type: | Notes: |

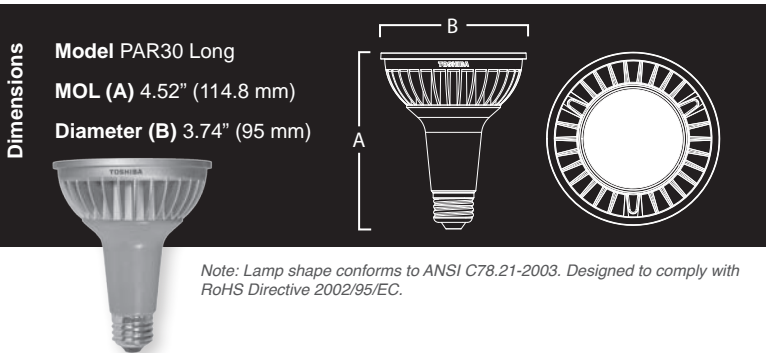
PAR30 Long



| Ordering Code | Input Voltage (VAC) | Lamp Shape | Base Type | CCT ¹ | Initial Lumens (lm) ² | Beam Angle | Wattage (W) | Lamp Efficacy (lm/W) | Rated Life (hrs) ³ | CBCP (cd) | CRI | Power Factor | Equivalency ⁴ | Lamp Weight lb (g) | |
|-----------------|---------------------|------------|-----------|------------------|----------------------------------|------------|-------------|----------------------|-------------------------------|-----------|-----|--------------|--------------------------|--------------------|---|
| 16P30L/827SP8 | 120 | PAR30 | E26 | 2700K | 710 | 8° | 15.6 | 45.5 | 40,000 | 12500 | 81 | > 0.70 | 70W Halogen | 0.51 (230) | ● |
| 16P30L/827NFL23 | 120 | PAR30 | E26 | 2700K | 780 | 23° | 16.3 | 47.9 | 40,000 | 3600 | 80 | > 0.70 | 70W Halogen | 0.57 (260) | |
| 16P30L/827FL32 | 120 | PAR30 | E26 | 2700K | 780 | 32° | 16.3 | 47.9 | 40,000 | 1650 | 80 | > 0.70 | 60W Halogen | 0.57 (260) | ● |
| 16P30L/830SP8 | 120 | PAR30 | E26 | 3000K | 730 | 8° | 15.6 | 46.8 | 40,000 | 12700 | 82 | > 0.70 | 70W Halogen | 0.51 (230) | ● |
| 16P30L/830NFL23 | 120 | PAR30 | E26 | 3000K | 800 | 23° | 16.3 | 49.1 | 40,000 | 3800 | 80 | > 0.70 | 75W Halogen | 0.57 (260) | ● |
| 16P30L/830FL32 | 120 | PAR30 | E26 | 3000K | 800 | 32° | 16.3 | 49.1 | 40,000 | 1750 | 80 | > 0.70 | 65W Halogen | 0.57 (260) | ● |
| 16P30L/840SP8 | 120 | PAR30 | E26 | 4000K | 740 | 8° | 15.6 | 47.4 | 40,000 | 12800 | 84 | > 0.70 | 70W Halogen | 0.51 (230) | ● |
| 16P30L/840NFL23 | 120 | PAR30 | E26 | 4000K | 800 | 23° | 16.3 | 49.1 | 40,000 | 3800 | 86 | > 0.70 | 75W Halogen | 0.57 (260) | |
| 16P30L/840FL32 | 120 | PAR30 | E26 | 4000K | 800 | 32° | 16.3 | 49.1 | 40,000 | 1750 | 86 | > 0.70 | 65W Halogen | 0.57 (260) | |

- CCT Range complies to ANSI C78.377-2008.
- Thermally stable typical lumens (± 10%)
- Rated life is based on 70% lumen maintenance and engineering testing and probability analysis; life hours per ENERGY STAR® may vary.
- Equivalency based on the ENERGY STAR® Integral LED Lamp Center Beam Intensity Benchmark Tool.

Note: All information consistent with IESNA LM-80-08 results and IESNA LM-79-08 testing completed by a qualified third party facility. All lamps meet ENERGY STAR Integral LED Lamp requirements and will be submitted for testing. Five-year warranty based on 12 hr/day usage. Toshiba LED Lighting Systems Division reserves the right to make changes and/or improvements in designs and/or dimensions without notice or obligation.



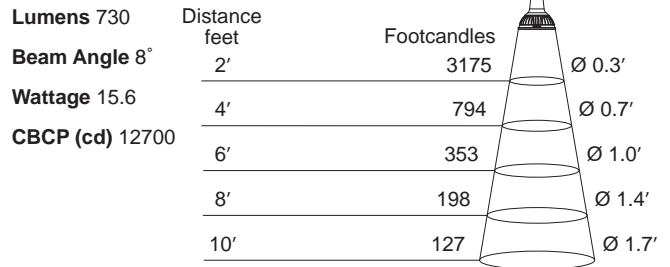
Note: Lamp shape conforms to ANSI C78.21-2003. Designed to comply with RoHS Directive 2002/95/EC.

| Ordering Code | 50W Halogen | 65W Halogen | 75W Halogen |
|-----------------|-------------|-------------|-------------|
| 16P30L/830SP8 | \$151.36 | \$217.36 | \$261.36 |
| 16P30L/830NFL23 | \$148.28 | \$214.28 | \$258.28 |
| 16P30L/830FL32 | \$148.28 | \$214.28 | \$258.28 |

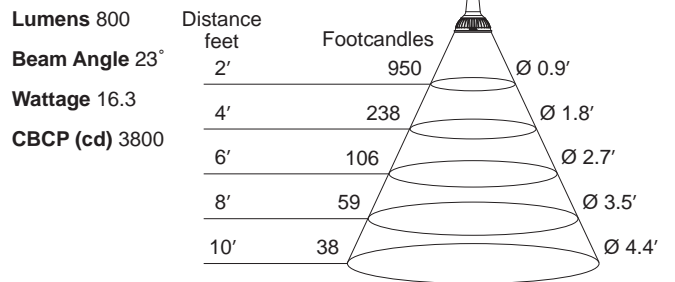
Note: Energy savings based on using one bulb for 40,000 hr rated life at 11c/kWh. Does not include maintenance and replacement lamp savings.

Illuminance Cone Diagrams

16P30L/830SP8



16P30L/830NFL23



16P30L/830FL32

