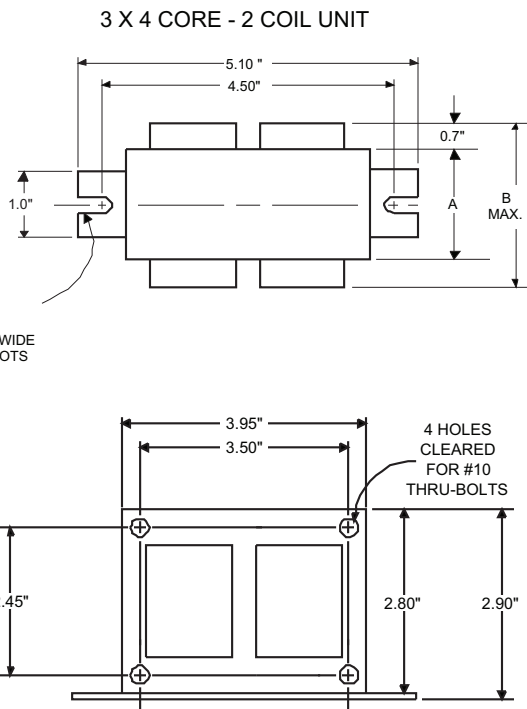


DIMENSIONS AND DATA



0.25" WIDE
2 SLOTS

		120	277	347		
INPUT VOLTS						
CIRCUIT TYPE	HX-HPF					
POWER FACTOR (min)	90%					
REGULATION						
Line Volts	±5%					
Lamp Watts	±7%					
LINE CURRENT (Amps)						
Operating.....		0.81	0.35	0.28		
Open Circuit.....		1.90	0.80	0.65		
Starting.....		1.05	0.45	0.38		
UL TEMPERATURE RATINGS	H(180°C)					
Insulation Class	1029					
Coil Temperature Code	-30°F or -35°C	A	A	A		
MIN. AMBIENT STARTING TEMP.	255					
NOM. OPEN CIRCUIT VOLTAGE						
INPUT VOLTAGE AT LAMP DROPOUT.....		90	208	260		
INPUT WATTS						
RECOMMENDED FUSE (Amps).....		4	2	2		
CORE and COIL	1.50					
Dimension (A)	2.80					
Dimension (B)	5					
Weight (lbs.)	12"					
Lead Lengths						
CAPACITOR REQUIREMENT	8.0					
Microfarads	280					
Volts (min.)						
Fault Current Withstand (amps)						
60 Hz TEST PROCEDURES (Refer to Philips Lighting Electronics N.A. TEST Procedure for HID Ballasts - Form High Potential Test (Volts)						
1500						
1 minute	2500					
2 seconds	230-280					
Open Circuit Voltage Test (Volts)						
Short-Circuit Current Test (Amps)	1.10-1.40					
Secondary Current						
Input Current.....		0.85	0.35	0.30	-	-
		1.25	0.56	0.45		

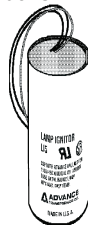
Capacitor: 7C080L33-R



Capacitance: 8
Dia/Oval Dim: 1.25
Height: 2.9

Temp Rating: 105°C

Ignitor: LI533-H4



Ballast to Lamp Distance
(BTL) = 5 feet
Temp Rating: 105°C



U.L. RECOGNIZED

Wiring Diagram:

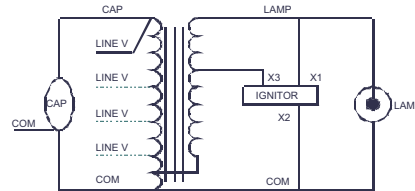


Fig. K3

Typical Ordering Information

(please call Philips Lighting Electronics N.A. for suffix availability)

Order Suffix	Description
--------------	-------------

Data is based upon tests performed by Philips Lighting Electronics N.A. in a controlled environment and is representative of relative performance. Actual performance can vary depending on operating conditions. Specifications are subject to change without notice.

PHILIPS LIGHTING ELECTRONICS N.A.

10275 WEST HIGGINS ROAD · ROSEMONT, IL 60018

Tel: 800-322-2086 · Fax: 888-423-1882 · www.philips.com/advance

Customer Support/Technical Service: 800-372-3331 · OEM Support: 866-915-5886

Revised: 07/07/06