

**PHILIPS  
ADVANCE**

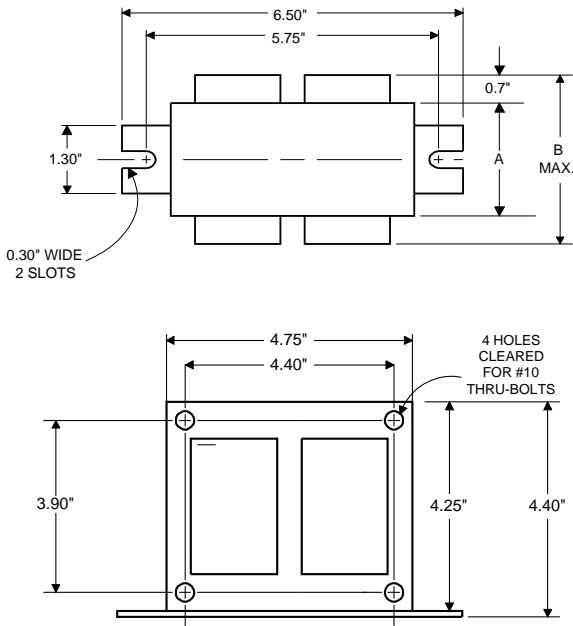
**Metal  
Halide  
Lamp Ballast**

**Catalog Number  
AS205WQUADEE  
For 205W C184 ALLSTART  
60 Hz SUPER-CWA**

**Status: Active**

**DIMENSIONS AND DATA**

4 1/4 X 4 3/4 CORE - 2 COIL UNIT



INPUT VOLTS	120	208	240	277
CIRCUIT TYPE	SUPER-CWA			
POWER FACTOR (min)	95%			
REGULATION				
Line Volts	±10%			
Lamp Watts	±10%			
LINE CURRENT (Amps)				
Operating.....	2.00	1.13	1.00	0.86
Open Circuit.....	1.78	0.96	0.90	0.76
Starting.....	1.55	0.89	0.78	0.77
UL TEMPERATURE RATINGS	H(180°C)			
Insulation Class	1029			
Coil Temperature Code	-20°F or -30°C			
MIN. AMBIENT STARTING TEMP.	280			
NOM. OPEN CIRCUIT VOLTAGE				
INPUT VOLTAGE AT LAMP DROPOUT.....	232			
INPUT WATTS				
RECOMMENDED FUSE (Amps).....	5	3	3	2
CORE and COIL				
Dimension (A)	1.71			
Dimension (B)	3.68			
Weight (lbs.)	11.8			
Lead Lengths	12"			
CAPACITOR REQUIREMENT	16.0			
Microfarads	400			
Volts (min.)				
Fault Current Withstand (amps)				
60 Hz TEST PROCEDURES (Refer to Philips Lighting Electronics N.A. TEST Procedure for HID Ballasts - Form 127				
High Potential Test (Volts)	2000			
1 minute	2500			
2 seconds	254-308			
Open Circuit Voltage Test (Volts)				
Short-Circuit Current Test (Amps)	2.26-2.76			
Secondary Current				
Input Current.....	1.15-	0.67-	0.57-	0.50-
	1.73	1.00	0.86	0.75

Capacitor: 7C160P40

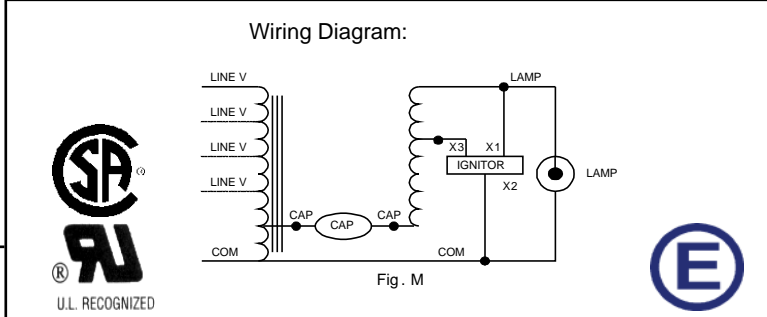


Capacitance: 16  
Dia/Oval Dim: 1.75  
Height: 3.75  
Temp Rating: 105°C

Ignitor: LI533-H4



Ballast to Lamp Distance (BTL) = 2 feet  
Temp Rating: 105°C



**Typical Ordering Information**  
(please call Philips Lighting Electronics N.A. for suffix availability)

Order Suffix	Description
EE	EISA COMPLIANT - 88% EFFICIENT BALLAST

Data is based upon tests performed by Philips Lighting Electronics N.A. in a controlled environment and is representative of relative performance. Actual performance can vary depending on operating conditions. Specifications are subject to change without notice.

**PHILIPS LIGHTING ELECTRONICS N.A.**

10275 WEST HIGGINS ROAD · ROSEMONT, IL 60018

Tel: 800-322-2086 · Fax: 888-423-1882 · www.philips.com/advance

Customer Support/Technical Service: 800-372-3331 · OEM Support: 866-915-5886

Revised: 09/16/10