

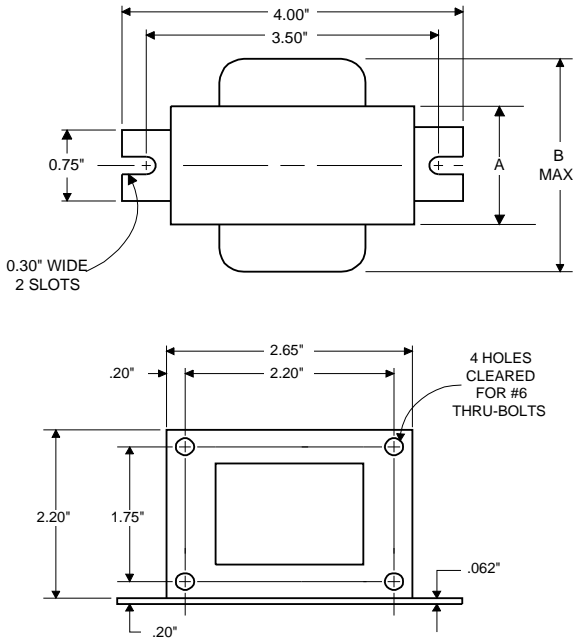
**PHILIPS  
ADVANCE**

**High Pressure  
Sodium  
Lamp Ballast**

**Catalog Number 71A8007  
For 100W S54  
60 Hz R-HPF  
Status: Active**

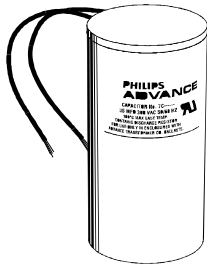
**DIMENSIONS AND DATA**

2 5/8 X 2 3/16 CORE



INPUT VOLTS	120				
CIRCUIT TYPE	R-HPF				
POWER FACTOR (min)	90%				
REGULATION					
Line Volts	±5%				
Lamp Watts	WITHIN TRAPEZOID				
LINE CURRENT (Amps)					
Operating.....	1.05				
Open Circuit.....	1.80				
Starting.....	1.50				
UL TEMPERATURE RATINGS					
Insulation Class	H(180°C)				
Coil Temperature Code	1029	A			
MIN. AMBIENT STARTING TEMP.	-40°F or -40°C				
NOM. OPEN CIRCUIT VOLTAGE	120				
INPUT VOLTAGE AT LAMP DROPOUT.....	96				
INPUT WATTS	115				
RECOMMENDED FUSE (Amps).....	5				
CORE and COIL					
Dimension (A)	1.50				
Dimension (B)	2.80				
Weight (lbs.)	3				
Lead Lengths	12"				
CAPACITOR REQUIREMENT					
Microfarads	36.0				
Volts (min.)	120				
Fault Current Withstand (amps)					
60 Hz TEST PROCEDURES (Refer to Philips Lighting Electronics N.A. TEST Procedure for HID Ballasts - Form 127 High Potential Test (Volts)					
1 minute	2000				
2 seconds	2500				
Open Circuit Voltage Test (Volts)	114-126				
Short-Circuit Current Test (Amps)					
Secondary Current	2.40-3.60				
Input Current.....	1.00-1.60	-	-	-	-

Capacitor: 7C360M12



Capacitance: 36  
Dia/Oval Dim: 1.75  
Height: 3.75  
Temp Rating: 105°C

Wiring Diagram:

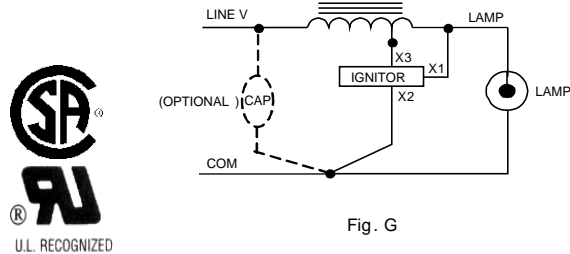


Fig. G

**Typical Ordering Information**

(please call Philips Lighting Electronics N.A. for suffix availability)

Order Suffix	Description
--------------	-------------

Ignitor: LI551-H4



Red (X1)  
White (X2)  
Blue (X3)

Ballast to Lamp Distance  
(BTL) = 2 feet  
Temp Rating: 105°C

Data is based upon tests performed by Philips Lighting Electronics N.A. in a controlled environment and is representative of relative performance. Actual performance can vary depending on operating conditions. Specifications are subject to change without notice.

**PHILIPS LIGHTING ELECTRONICS N.A.**

10275 WEST HIGGINS ROAD · ROSEMONT, IL 60018

Tel: 800-322-2086 · Fax: 888-423-1882 · www.philips.com/advance

Customer Support/Technical Service: 800-372-3331 · OEM Support: 866-915-5886

Revised: 05/16/03