

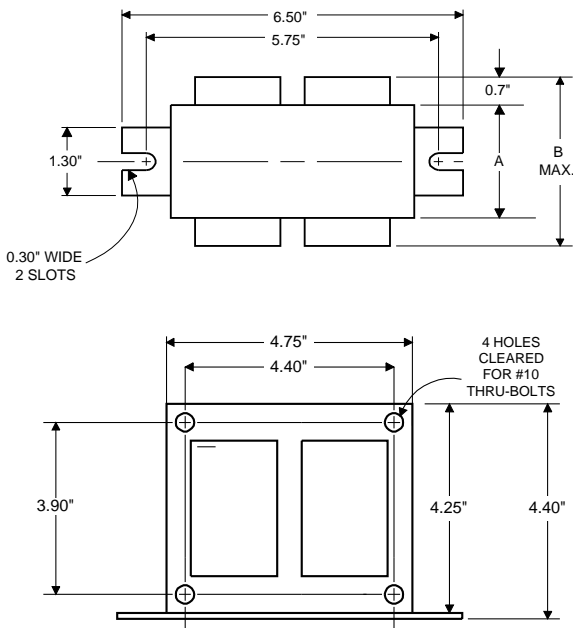
**PHILIPS
ADVANCE**

**High Pressure
Sodium
Lamp Ballast**

**Catalog Number 71A8443
For 400W S51/M169
60 Hz CWA
Status: Active**

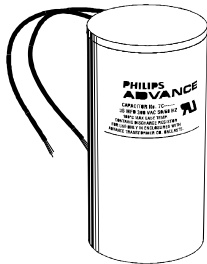
DIMENSIONS AND DATA

4 1/4 X 4 3/4 CORE - 2 COIL UNIT



INPUT VOLTS	480			
CIRCUIT TYPE	CWA			
POWER FACTOR (min)	90%			
REGULATION				
Line Volts	±10%			
Lamp Watts	WITHIN TRAPZOID			
LINE CURRENT (Amps)				
Operating.....	0.97			
Open Circuit.....	0.55			
Starting.....	0.75			
UL TEMPERATURE RATINGS				
Insulation Class	H(180°C)			
Coil Temperature Code	1029	D		
MIN. AMBIENT STARTING TEMP.	-40°F or -40°C			
NOM. OPEN CIRCUIT VOLTAGE	190			
INPUT VOLTAGE AT LAMP DROPOUT.....	360			
INPUT WATTS	464			
RECOMMENDED FUSE (Amps).....	3			
CORE and COIL				
Dimension (A)	2.30			
Dimension (B)	4.00			
Weight (lbs.)	15			
Lead Lengths	12"			
CAPACITOR REQUIREMENT				
Microfarads	55.0			
Volts (min.)	240			
Fault Current Withstand (amps)				
60 Hz TEST PROCEDURES (Refer to Philips Lighting Electronics N.A. TEST Procedure for HID Ballasts - Form 127 High Potential Test (Volts)				
1 minute	2000			
2 seconds	2500			
Open Circuit Voltage Test (Volts)	170-210			
Short-Circuit Current Test (Amps)				
Secondary Current	6.00-7.40			
Input Current.....	0.50-0.80	-	-	-

Capacitor: 7C550P24



Capacitance: 55
Dia/Oval Dim: 1.75
Height: 5.15
Temp Rating: 105°C



Wiring Diagram:

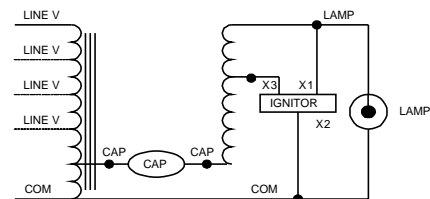


Fig. M

Typical Ordering Information

(please call Philips Lighting Electronics N.A. for suffix availability)

Order Suffix	Description
--------------	-------------

Ignitor: LI501-H4



Red (X1)
White (X2)
Blue (X3)

Ballast to Lamp Distance
(BTL) = 2 feet
Temp Rating: 105°C

Data is based upon tests performed by Philips Lighting Electronics N.A. in a controlled environment and is representative of relative performance. Actual performance can vary depending on operating conditions. Specifications are subject to change without notice.

PHILIPS LIGHTING ELECTRONICS N.A.

10275 WEST HIGGINS ROAD · ROSEMONT, IL 60018

Tel: 800-322-2086 · Fax: 888-423-1882 · www.philips.com/advance

Customer Support/Technical Service: 800-372-3331 · OEM Support: 866-915-5886

Revised: 09/23/08