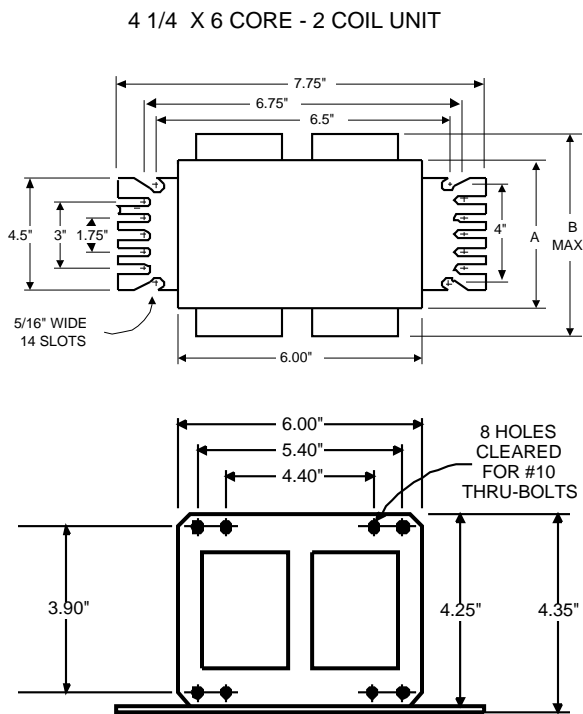
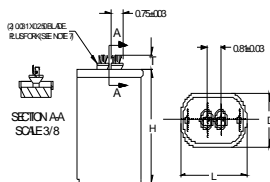


### DIMENSIONS AND DATA



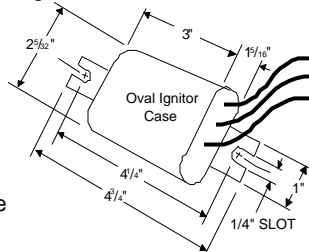
		120	208	240	277	480
INPUT VOLTS						
CIRCUIT TYPE		CWA				
POWER FACTOR (min)		98%				
REGULATION		±10%				
Line Volts		WITHIN TRAPEZOID				
Lamp Watts						
LINE CURRENT (Amps)						
Operating.....		9.28	5.32	4.68	4.03	2.31
Open Circuit.....		3.90	2.19	2.01	1.71	0.96
Starting.....		7.80	4.38	3.82	3.30	1.90
UL TEMPERATURE RATINGS		H(180°C)				
Insulation Class		1029				
Coil Temperature Code		-40°F or -40°C				
MIN. AMBIENT STARTING TEMP.		437				
NOM. OPEN CIRCUIT VOLTAGE						
INPUT VOLTAGE AT LAMP DROPOUT.....		1100				
INPUT WATTS						
RECOMMENDED FUSE (Amps).....		25	15	12	10	6
CORE and COIL		3.97				
Dimension (A)		6.00				
Dimension (B)		29				
Weight (lbs.)		18"				
Lead Lengths						
CAPACITOR REQUIREMENT		26.0				
Microfarads		525				
Volts (min.)						
Fault Current Withstand (amps)						
60 Hz TEST PROCEDURES (Refer to Philips Lighting Electronics N.A. TEST Procedure for HID Ballasts - Form High Potential Test (Volts)		2000				
1 minute		2500				
2 seconds		390-476				
Open Circuit Voltage Test (Volts)		6.24-7.63				
Short-Circuit Current Test (Amps)						
Secondary Current						
Input Current.....		5.83	3.36	2.92	2.53	1.46
		8.74	5.05	4.38	3.80	2.19

Capacitor: MD2602-030



Capacitance: 26  
Dia/Oval Dim: 1.75  
Height: 5.3  
Temp Rating: 90°C

Ignitor: LI571-H5



Ballast to Lamp Distance (BTL) = 15 feet  
Temp Rating: 105°C



#### Wiring Diagram:

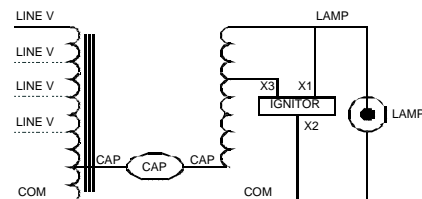


Fig. M

#### Typical Ordering Information

(please call Philips Lighting Electronics N.A. for suffix availability)

Order Suffix	Description
--------------	-------------

Data is based upon tests performed by Philips Lighting Electronics N.A. in a controlled environment and is representative of relative performance. Actual performance can vary depending on operating conditions. Specifications are subject to change without notice.

## PHILIPS LIGHTING ELECTRONICS N.A.

10275 WEST HIGGINS ROAD · ROSEMONT, IL 60018

Tel: 800-322-2086 · Fax: 888-423-1882 · www.philips.com/advance

Customer Support/Technical Service: 800-372-3331 · OEM Support: 866-915-5886

Revised: 01/12/06