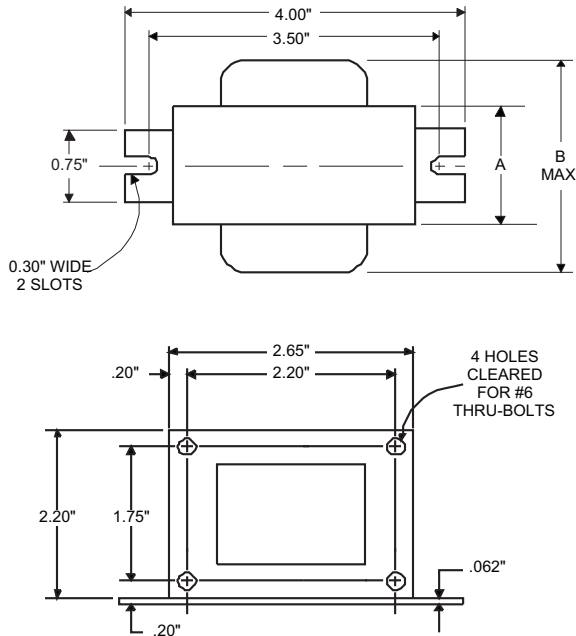


DIMENSIONS AND DATA

2 5/8 X 2 3/16 CORE



INPUT VOLTS	277				
CIRCUIT TYPE	R-HPF				
POWER FACTOR (min)	90%				
REGULATION					
Line Volts	±5%				
Lamp Watts	±10%				
LINE CURRENT (Amps)					
Operating.....	0.32				
Open Circuit.....	0.80				
Starting.....	0.50				
UL TEMPERATURE RATINGS					
Insulation Class	H(180°C)				
Coil Temperature Code	1029	A			
MIN. AMBIENT STARTING TEMP.	-20°F or -30°C				
NOM. OPEN CIRCUIT VOLTAGE	277				
INPUT VOLTAGE AT LAMP DROPOUT.....	190				
INPUT WATTS	85				
RECOMMENDED FUSE (Amps).....	2				
CORE and COIL					
Dimension (A)	1.50				
Dimension (B)	2.90				
Weight (lbs.)	2.9				
Lead Lengths	12"				
CAPACITOR REQUIREMENT					
Microfarads	8.0				
Volts (min.)	280				
Fault Current Withstand (amps)					
60 Hz TEST PROCEDURES (Refer to Philips Lighting Electronics N.A. TEST Procedure for HID Ballasts - Form High Potential Test (Volts)					
1 minute	2000				
2 seconds	2500				
Open Circuit Voltage Test (Volts)	260-290				
Short-Circuit Current Test (Amps)					
Secondary Current	0.85-1.25				
Input Current.....	0.20	-	-	-	-
	0.45				

Capacitor: 7C080L33-R



Capacitance: 8
Dia/Oval Dim: 1.25
Height: 2.9
Temp Rating: 105°C

Ignitor: INTEGRAL

An ignitor integral to the core and coil assembly is used to start the lamp.

Ballast to Lamp Distance (BTL) = 2 feet
Temp Rating: 125°C

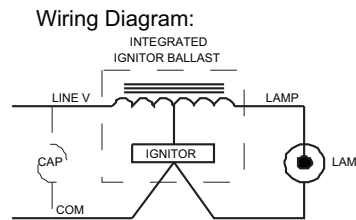


Fig. H

Typical Ordering Information

(please call Philips Lighting Electronics N.A. for suffix availability)

Order Suffix	Description
500DB	Ballast With Integral Igniter and Dry Film Capacitor
510DB	Ballast w/Welded Bracket, Integral Igniter & Dry Film Cap.
600B	Ballast and Integral Igniter, No Capacitor
610B	Ballast w/Welded Bracket and Integral Igniter, No Capacitor

Data is based upon tests performed by Philips Lighting Electronics N.A. in a controlled environment and is representative of relative performance. Actual performance can vary depending on operating conditions. Specifications are subject to change without notice.

PHILIPS LIGHTING ELECTRONICS N.A.

10275 WEST HIGGINS ROAD · ROSEMONT, IL 60018

Tel: 800-322-2086 · Fax: 888-423-1882 · www.philips.com/advance

Customer Support/Technical Service: 800-372-3331 · OEM Support: 866-915-5886

Revised: 05/15/03