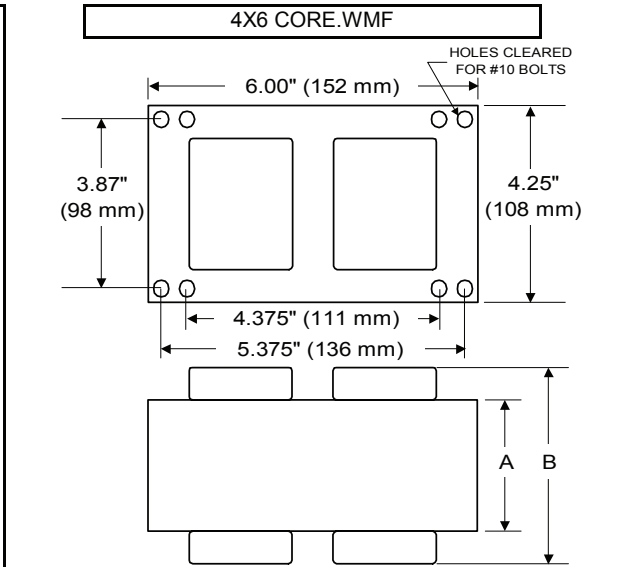


### 1000WM47 / H36

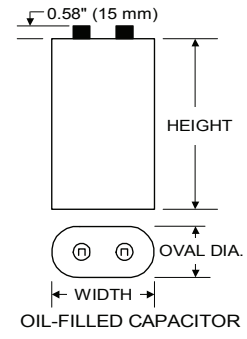
Metal Halide  
 PLT-1000MA4TK  
 60 Hz CWA

|                                       |             |             |             |             |
|---------------------------------------|-------------|-------------|-------------|-------------|
| <b>Input Volts</b>                    | 120         | 208         | 240         | 277         |
| <b>Line Current ( Amps )</b>          |             |             |             |             |
| Operating                             | 9.00        | 5.55        | 4.60        | 4.00        |
| Open Circuit                          | 5.35        | 3.95        | 2.95        | 2.50        |
| Starting                              | 6.30        | 3.50        | 3.25        | 2.85        |
| <b>Recommended Fuse (Amps)</b>        | 22          | 15          | 12          | 10          |
| <b>Regulation</b>                     |             |             |             |             |
| Line Volts                            | ±10%        | ±10%        | ±10%        | ±10%        |
| Lamp Watts                            | ±10%        | ±10%        | ±10%        | ±10%        |
| <b>Temperature Ratings</b>            |             |             |             |             |
| Insulation Class                      | 180 (H)     | 180 (H)     | 180 (H)     | 180 (H)     |
| Coil Temperature Code                 | D           | D           | C           | C           |
| Benchtop Coil Rise                    | 89.4        | 89.9        | 82.4        | 84.9        |
| <b>Power Factor (Min)</b>             | 90%         | 90%         | 90%         | 90%         |
| <b>Input Watts</b>                    | 1085 W      | 1085 W      | 1085 W      | 1085 W      |
| <b>Efficiency</b>                     |             |             |             |             |
| <b>NOM. Open Circuit Voltage</b>      | 420         | 420         | 420         | 420         |
| <b>Input Voltage At Lamp Dropout</b>  | 75          | 120         | 140         | 160         |
| <b>Min Ambient Starting Temp</b>      | -20°F/-30°C | -20°F/-30°C | -20°F/-30°C | -20°F/-30°C |
| <b>60 HZ TEST PROCEDURES</b>          |             |             |             |             |
| <b>High Potential Test (Volts)</b>    |             |             |             |             |
| 1 Minute                              | 2,000 V     | 2,000 V     | 2,000 V     | 2,000 V     |
| 1 Second                              | 2,500 V     | 2,500 V     | 2,500 V     | 2,500 V     |
| <b>Open Circuit Voltage Test (V)</b>  | 375 - 460   | 375 - 460   | 375 - 460   | 375 - 460   |
| <b>Short Circuit Current Test (A)</b> |             |             |             |             |
| Secondary Current                     |             |             |             |             |
| Min                                   | 4.80        | 4.80        | 4.80        | 4.80        |
| Max                                   | 5.90        | 5.90        | 5.90        | 5.90        |
| Input Current                         |             |             |             |             |
| Min                                   | 5.05        | 2.80        | 2.60        | 2.25        |
| Max                                   | 7.60        | 4.20        | 3.90        | 3.40        |
| <b>CORE and COIL Specifications</b>   |             |             |             |             |
| Dimension (A)                         | 2.80 in     | 2.80 in     | 2.80 in     | 2.80 in     |
| Dimension (B)                         | 4.95 in     | 4.95 in     | 4.95 in     | 4.95 in     |
| Weight                                | 18.5 lb's   | 18.5 lb's   | 18.5 lb's   | 18.5 lb's   |
| Lead Lengths                          | 12"         | 12"         | 12"         | 12"         |
| <b>Capacitor Requirement</b>          |             |             |             |             |
| Microfarads                           | 24.0 uf     | 24.0 uf     | 24.0 uf     | 24.0 uf     |
| Volts (Min)                           | 480 V       | 480 V       | 480 V       | 480 V       |



|                   |          |                 |      |
|-------------------|----------|-----------------|------|
| <b>Capacitor:</b> | ACB2200V | <b>Ignitor:</b> | None |
|-------------------|----------|-----------------|------|

Microfarads: 24.0 uf  
 Volts (Max): 480 V  
 Case Temp (Max): 100 °C  
 Height (Max): 4.03 in  
 Dia (Max): 1.97 in  
 Oval Width (Max): 2.97 in



This Ballast Does Not Require An Ignitor

**Ordering Information** Add Suffix for options

- C - With Capacitor
- K - Prewired, with Capacitor and Bracket Kit
- B - With Welded Bracket, no cap
- CB - With Capacitor and Welded Bracket

Coil material: primary Cu and secondary Al

RoHS compliant on all manufactured products after August 1, 2007

Data is based upon tests performed by in a controlled environment and is representative of relative performance. Actual performance can vary depending on operating conditions. Specifications are subject to change without notice.

11/21/2007 Production



RoHS

