

# HALOGEN PREFOCUS BAYONET • SSTV



Watts	Ushio Ordering Code	Ushio Lamp Code	Dimensions mm			Filament Type	Approx Lumens lm	Color Temp K	Avg Life h	Burn Position	Fig No
			Dia (A)	OAL (B)	LCL (C)						
500	1000083	BTL, JCS120V-500WBP28	19.5	127.0	55.5	C-13D	11000	3050	500	BD/Hor	1
500	1000208	FMC/DNS, JCS120V-500WB2P28	19.5	156.0	88.9	C-13D	11000	3050	500	Any	2
750	1000086	BTP, JCS120V-750WCP28	23.0	127.0	55.5	C-13D	20000	3200	200	BD/Hor	1
1000	1000087	BTR, JCS120V-1000WCP28	23.0	127.0	55.5	C-13D	28500	3200	250	BD/Hor	1
1000	1000091	BVT, JCS120V-1000WBP40	23.0	178.0	100.0	C-13D	23000	3050	500	Any	3
1000	1000214	DPW, JCS120V-1000W	64.0	241.3	87.3	C-13	2800	3200	50	BD	6
1500	1000220	DTA, JCS120V-1500WCP40	25.0	203.0	87.3	C-13D	39000	3200	100	BD	5

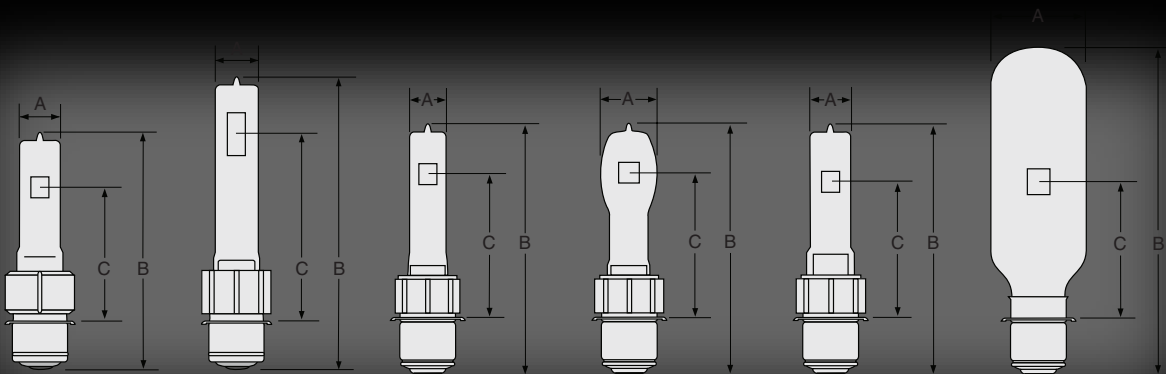


Fig.1

Fig.2

Fig.3

Fig.4

Fig.5

Fig.6