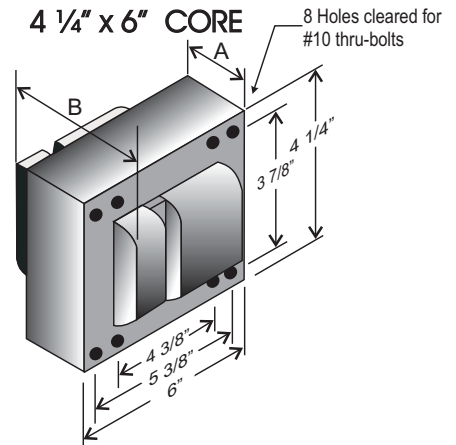


CATALOG NUMBER: E-MCA0DD1001 FOR ONE 1000 WATT, M141 METAL HALIDE PULSE START LAMP

Line Voltage	480V
Regulation	
Line Volts	+/-10%
Lamp Watts	+/-10%
Frequency	60 Hz
Circuit Type	CWA
Power Factor (min)	90%
Insulation Class	H(180°)
Min. Ambient Starting Temp.	-20° F or -30° C

Line Voltage (Volts)	480
Line Current (Amps)	
Operating	2.30
Open Circuit	1.35
Starting	1.70
Input Watts (W)	1080
Open Circuit Voltage (V)	421
Drop Out Voltage (V)	300
UL(1029) Bench Top Rise	C
Recommended Fuse (Amps)	6
HIGH POTENTIAL TEST (VOLTS)	
1Minute	2000
2 Seconds	2500
Open Circuit Voltage Test(volts)	385-475
Short-Circuit Current Test (Amps)	
Secondary Current	5.2 - 6.4
Input Current (Amps)	1.45 - 1.80



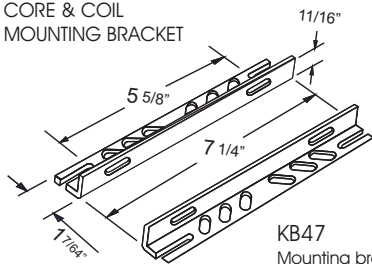
CORE AND COIL

Dimension A (inches)	2.80
Dimension B (inches)	4.80
Weight (Lbs)	23.00
Lead Lengths (inches)	12

BRACKET

CORE & COIL

MOUNTING BRACKET



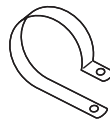
KB47

Mounting bracket for
Core & Coil Ballasts
(2 brackets with thru bolts)



C-01

MOUNTING CLIP for round
case (Furnished as standard
with B suffix ballast)



I-01

MOUNTING CLIP for oval
case (Furnished as standard
with B suffix ballast)

ORDERING INFORMATION

*** Add proper suffix to catalog number when ordering as indicated below:

No suffix = Core and Coil Only

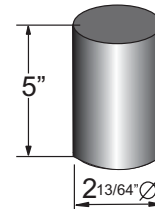
B= Core and Coil, and Bracket

C=Core and Coil, and Capacitor

BC=Core and Coil, Capacitor and Bracket

Data is based upon tests performed by Industrias Sola Basic in a controlled environment and representative of relative performance. Actual Performance can vary depending on operating conditions. Specifications are subject to change without notice.

CAPACITOR

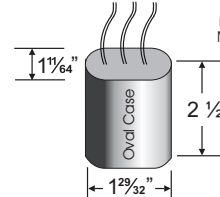


RATING

24 Mfd ± 3%
480 VAC MIN
Dry Film Capacitor
Thermal Plastic Case
Max. Case Temp 100° C
NO PCB'S

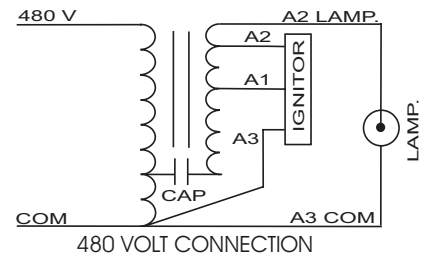
IGNITOR 356-AS-1001-MH

Ballast to Lamp Distance (BTL): 25 feet



(THERMAL PLASTIC CASE)
Max. case Temp: 110° C

WIRING DIAGRAM



ISO 9001:2000



Made in Mexico by Industrias Sola Basic S.A de C.V.