



# Precision Lamp & Transformer

## 50W S68

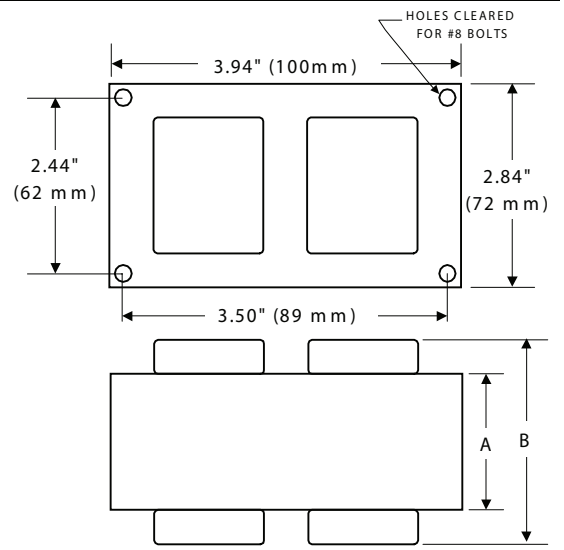
High Pressure Sodium

50HX2TK

60 Hz HX-HPF

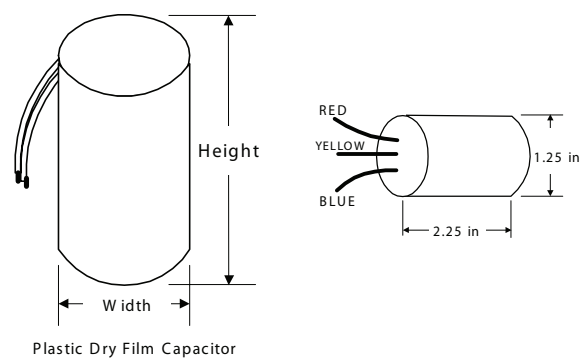
Input Volts	120	277
Line Current ( Amps )		
Operating	0.60	0.25
Open Circuit	1.00	0.45
Starting	0.45	0.20
Regulation		
Line Volts	±5%	±5%
Lamp Watts	±10%	±10%
UL Temperature Ratings		
Insulation Class	H	H
Coil Temperature Code	A	A
Benchtop Coil Rise	48.7	49.9
Input Watts	66 W	66 W
NOM. Open Circuit Voltage	120	120
Power Factor	90%	90%
Current Crest Factor	1.50	1.50
Input Voltage At Lamp Dropout	95	200
MIN. Ambient Starting Temp.	-40°F -40°C	-40°F -40°C
60 HZ TEST PROCEDURES		
High Potential Test (Volts)		
1 Minute	2,000 V	2,000 V
1 Second	2,500 V	2,500 V
Open Circuit Voltage Test (V)	105 - 135	105 - 135
Short Circuit Current Test (A)		
Secondary Current	Min 1.35	1.35
	Max 1.65	1.65
Input Current	Min 0.25	0.15
	Max 0.45	0.25
Recommended Fuse (Amps)	3	1
CORE and COIL Specifications		
Dimension (A)	1.00 in	1.00 in
Dimension (B)	2.40 in	2.40 in
Weight (lbs.)	3.6 lb's	3.6 lb's
Lead Lengths	12 "	12 "
CAPACITOR Specifications		
Microfarads	5.0 uf	5.0 uf
Volts (min.)	280 V	280 V

3X4 CORE - HX, CWA & CWI UNITS



Capacitor: ACG314      Ignitor: BVS-006-A

Temp Rating: 100 °C      Temp: 105 °C  
 Height: 3.92 in      BTL: 5 ft  
 Dia/Oval Dim 1.38 in



Ordering Information    Add Suffix for options

- C - With Capacitor
- K - With Capacitor and Bracket Kit
- B - With Welded Bracket no cap

Data is based upon tests performed in a controlled environment and is representative of relative performance. Actual performance can vary depending on operating conditions. Specifications are subject to change without notice

12/8/00      Production

