

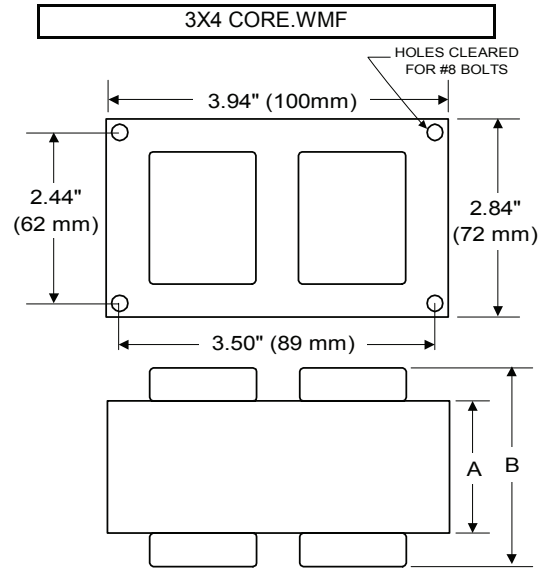


# Precision Lamp & Transformer

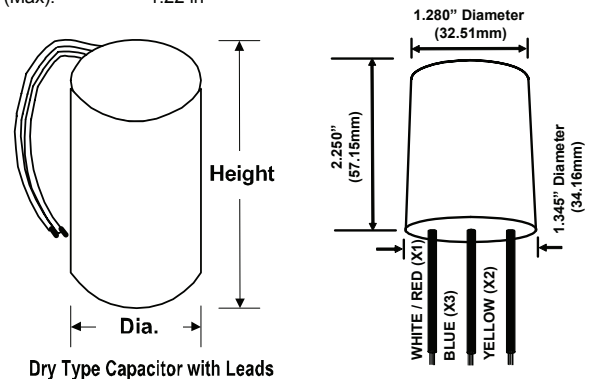
## BALLAST SPECIFICATION

**50W M110**  
**Pulse Start Metal Halide**  
**50PX4TK**  
**60 Hz HX-HPF**

<b>Input Volts</b>	120	208	240	277
<b>Line Current ( Amps )</b>				
Operating	0.60	0.35	0.30	0.25
Open Circuit	1.20	0.65	0.60	0.50
Starting	0.60	0.35	0.30	0.25
<b>Recommended Fuse (Amps)</b>	3	2	2	2
<b>Regulation</b>				
Line Volts	±5%	±5%	±5%	±5%
Lamp Watts	±10%	±10%	±10%	±10%
<b>Temperature Ratings</b>				
Insulation Class	180 (H)	180 (H)	180 (H)	180 (H)
Coil Temperature Code	A	A	A	A
Benchtop Coil Rise	66.6	64.7	64.3	70.7
<b>Power Factor (Min)</b>	90%	90%	90%	90%
<b>Input Watts</b>	68 W	68 W	68 W	68 W
<b>Efficiency</b>				
<b>NOM. Open Circuit Voltage</b>	265	265	265	265
<b>Input Voltage At Lamp Dropout</b>	85	150	170	195
<b>Min Ambient Starting Temp</b>	-20°F/-30°C*	-20°F/-30°C*	-20°F/-30°C*	-20°F/-30°C*
<b>60 HZ TEST PROCEDURES</b>				
<b>High Potential Test (Volts)</b>				
1 Minute	2,000 V	2,000 V	2,000 V	2,000 V
1 Second	2,500 V	2,500 V	2,500 V	2,500 V
<b>Open Circuit Voltage Test (V)</b>	235 - 295	235 - 295	235 - 295	235 - 295
<b>Short Circuit Current Test (A)</b>				
Secondary Current	Min .65 Max .85	Min .65 Max .85	Min .65 Max .85	Min .65 Max .85
Input Current	Min 0.40 Max 0.75	Min 0.20 Max 0.40	Min 0.15 Max 0.35	Min 0.15 Max 0.35
<b>CORE and COIL Specifications</b>				
Dimension (A)	1.05 in	1.05 in	1.05 in	1.05 in
Dimension (B)	2.45 in	2.45 in	2.45 in	2.45 in
Weight	3.5 lb's	3.5 lb's	3.5 lb's	3.5 lb's
Lead Lengths	12"	12"	12"	12"
<b>Capacitor Requirement</b>				
Microfarads	6.0 uf	6.0 uf	6.0 uf	6.0 uf
Volts (Min)	280 V	280 V	280 V	280 V



<b>Capacitor:</b>	ACG033	<b>Ignitor:</b>	BVS-032
Microfarads:	6.0 uf	Case Temp (Max):	105 °C
Volts (Max):	330 V	BTL Distance (Max):	2 ft
Case Temp (Max):	100 °C		
Height (Max):	2.76 in		
Dia (Max):	1.22 in		



Dry Type Capacitor with Leads

### Ordering Information Add Suffix for options

- C - With Capacitor
- K - Prewired, with Capacitor and Bracket Kit
- B - With Welded Bracket, no cap
- CB - With Capacitor and Welded Bracket

\* -40°F/-40°C Min Ambient Starting Temp with Venture Lamp  
 Coil material: primary Cu and secondary Al

RoHS compliant on all manufactured products after August 1, 2007

Data is based upon tests performed in a controlled environment and is representative of relative performance. Actual performance can vary depending on operating conditions. Specifications are subject to change without notice.



**RoHS**

