

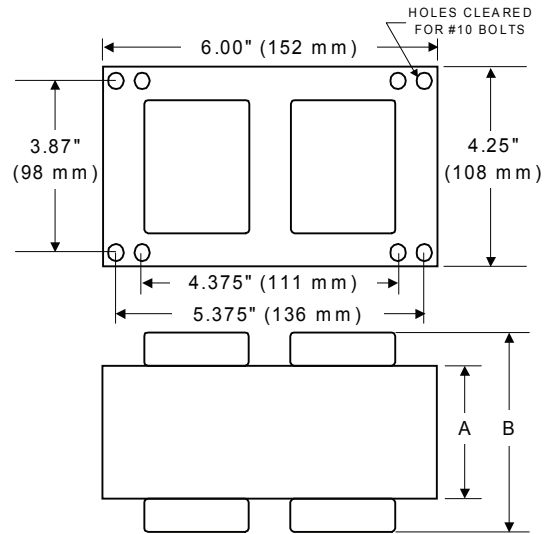


Precision  
Lamp & Transformer

**1000W S52**  
High Pressure Sodium  
**1000HA48TK**  
60 Hz CWA

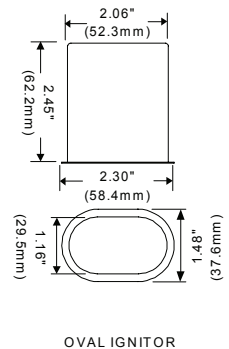
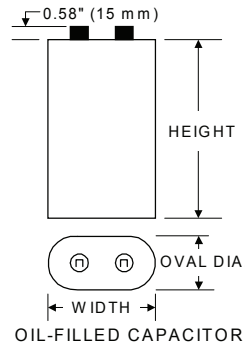
Input Volts	480
Line Current ( Amps )	
Operating	2.30
Open Circuit	0.80
Starting	2.30
Regulation	
Line Volts	±10%
Lamp Watts	±14%
UL Temperature Ratings	
Insulation Class	H
Coil Temperature Code	C
Benchtop Coil Rise	82.9
Input Watts	1100 W
NOM. Open Circuit Voltage	430
Power Factor	90%
Current Crest Factor	1.65
Input Voltage At Lamp Dropout	385
MIN. Ambient Starting Temp.	-40°F -40°C
60 HZ TEST PROCEDURES	
High Potential Test (Volts)	
1 Minute	2,000 V
1 Second	2,400 V
Open Circuit Voltage Test (V)	385 - 475
Short Circuit Current Test (A)	
Secondary Current	Min 6.35
	Max 7.80
Input Current	Min 1.80
	Max 2.80
Recommended Fuse (Amps)	6
CORE and COIL Specifications	
Dimension (A)	3.90 in
Dimension (B)	5.90 in
Weight (lbs.)	28.8 lb's
Lead Lengths	12"
CAPACITOR Specifications	
Microfarads	26.0 uf
Volts (min.)	525 V

**4X6 CORE - HX, CWA & CWI UNITS**



**Capacitor: ACB2640V      Ignitor: BVS-020**

Temp Rating: 90 °C      Temp: 105 °C  
 Height: 4.37 in      BTL: 2 ft  
 Dia/Oval Dim 1.97 in  
 Width 2.97



Ordering Information    Add Suffix for options

- C - With Capacitor
- K - With Capacitor and Bracket Kit
- B - With Welded Bracket no cap

Data is based upon tests performed in a controlled environment and is representative of relative performance. Actual performance can vary depending on operating conditions. Specifications are subject to change without notice

6/26/00      Production

