

FRANCE

P5G-2UE ServiceMaster

Universal Replacement Service Units



*Ever wish you
had 8 arms?
With the "ServiceMaster"
you only need 2!*

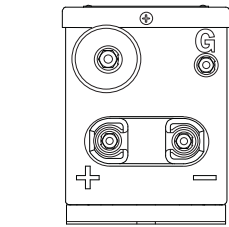
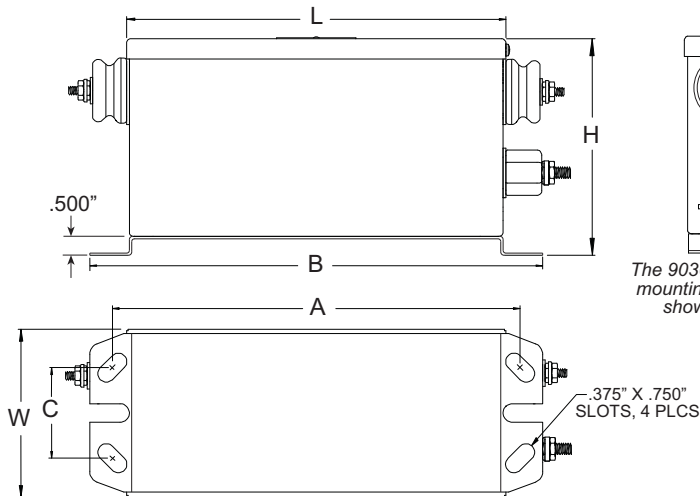
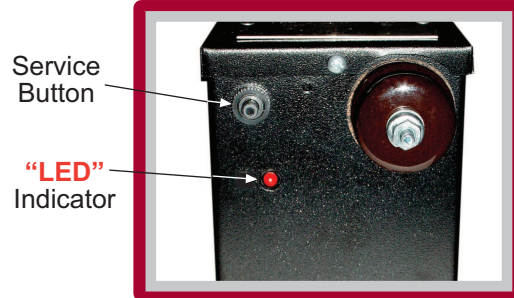


- ◆ **True 30mA & 60mA Output** - The "ServiceMaster" can replace 8 ratings.
- ◆ **Ready to Mount.** Step Plate eliminates double-nutting.
- ◆ **Diagnostic Circuit** - "LED" indicates the reason for service, allowing for quick, easy troubleshooting.
- ◆ **Primary Wiring Requirements of a Non-SCGFP** - with the added safety of Secondary Ground Fault Protection.
- ◆ **Service Button** - For easy troubleshooting of ground faults and primary wiring problems. Overrides the SCGFP for up to 30 minutes.
- ◆ **Auto Reset** - After secondary ground fault, automatically attempts to reset three times within ten seconds. Manual reset possible at any time, by disconnecting primary power.
- ◆ **Secondary Circuit Ground Fault Protection** - (SCGFP) Disables unit upon detection of arcs to ground in compliance with UL2161 and NEC requirements.
- ◆ **Easy Wiring Methods** - Virtual Ground and Series Wiring Methods
- ◆ **User Friendly** - Adapts to most grounding situations.
- ◆ ***Can be used in flashing/dimming applications.**

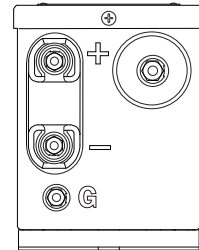
* UL does not have listing requirements for transformers that are remotely dimmed or flashed.

www.franceformer.com

SERVICE MASTER	REPLACES
15030 & 15060 P5G-2UE	15000, 12000 & 10500 Volt
9030 & 9060 P5G-2UE	9000, 7500, 6000, 5000, 4000, 3000 & 2000 Volt



The 9030 P5G-2U has horizontal mounting of primary bushing as shown in diagram above.



This end view of primary bushing is applicable to the 9060, 15030 & 15060 P5G-2U only.

NORMAL POWER FACTOR

Catalog Number	VAC	Hz	Secondary		Primary V.A.	Input Amps	Wt. Lbs.	Case Dimensions					
			Volts	mA				L	W	H	A	B	C
15030 P5G-2UE	120	60	15000	30	510	4.25	21	9.20	4.65	5.71	10.13	11.25	3.00
9030 P5G-2UE	120	60	9000	30	330	2.75	13	8.37	3.70	5.39	9.00	10.00	2.00
15030 P5G-2UE	277	60	15000	30	530	1.90	21	9.20	4.65	5.71	10.13	11.25	3.00
9030 P5G-2UE	277	60	9000	30	320	1.15	13	8.37	3.70	5.39	9.00	10.00	2.00
15060 P5G-2UE	120	60	15000	60	940	7.80	39	10.87	5.37	6.20	11.88	13.00	3.00
9060 P5G-2UE	120	60	9000	60	600	5.00	23	9.20	4.65	5.71	10.13	11.25	3.00
15060 P5G-2UE	277	60	15000	60	980	3.60	39	10.87	5.37	6.20	11.88	13.00	3.00
9060 P5G-2UE	277	60	9000	60	610	2.20	23	9.20	4.65	5.71	10.13	11.25	3.00

FRANCE

2268 Fairview Blvd PO Box 300 Fairview, TN 37062 voice 800-753-2753 fax 615-799-3199