

C213UNVxxx

APPLICATION and PERFORMANCE SPECIFICATION

Description: Electronic compact fluorescent ballast(s) for (2/1) CFQ/M13W/G24q or (2/1) CFQ/M13W/GX24q or (2/1) CFS16W/GR10q (2D) or (2/1) CFS10W/GR10q (2D) 4-pin lamps

- Line Voltage: 120vac to 277vac, ±10%, 50-60Hz
- High Power Factor
- Programmed Rapid Start
- Series Lamp Connection

Model	Line Volts	Lamp		Input Watts	Nominal Line Amps	Ballast Factor	Power Factor	THD	Crest Factor
		Type	#						
C213UNV	120	CFQ13W	2	30	0.26	1.00	> .98	< 10%	<1.7
	277	CFQ13W	2	30	0.11	1.00	> .98	< 10%	<1.7
C213UNV	120	CFQ13W	1	18	0.15	1.00	> .98	< 10%	<1.7
	277	CFQ13W	1	18	0.07	1.00	> .95	< 15%	<1.7
C213UNV	120	CFM13W	2	30	0.26	1.00	> .98	< 10%	<1.7
	277	CFM13W	2	30	0.11	1.00	> .98	< 10%	<1.7
C213UNV	120	CFM13W	1	18	0.15	1.00	> .98	< 10%	<1.7
	277	CFM13W	1	18	0.07	1.00	> .95	< 15%	<1.7
C213UNV	120	CFS10W	2/1	26/15	.22/.12	1.02	> .98	<10%	<1.7
	277	CFS10W	2/1	26/15	.10/.06	1.02	> .95	<15%	<1.7
C213UNV	120	CFS16W	2/1	33/19	.28/.15	.95	> .98	< 10%	<1.7
	277	CFS16W	2/1	33/19	.12/.07	.95	>.95	<15%	<1.7

Application and Performance Specification Information Subject to Change without Notification

Performance:

- Meets ANSI Standard C82.11
- Meets FCC Part 18 (Non-Consumer), Limits for EMI/RFI
- Operating Frequency Range: 50-60 kHz
- **Auto-Reset Shutdown Circuit** per NEMA Recommendations
 - Both lamps should be replaced at end of life
 - Lamp relights upon insertion in socket
- Suitable for use in air handling spaces when NEC wiring guidelines are followed
- ME version: Input Terminals L N G intended for one supply connection only

Safety:

- No PCB's
- cUL_{US} listed (Class P)
 - Type 1 Outdoor, Type CC, Type HL

Application:

- Minimum Starting Temperature: 0° F, -18° C
- Maximum Case Temperature (@ t_c): 167° F, 75° C
- Sound Rated: A
- Lead configuration:
 - xxx =** BE - Bottom Exit
 - or BES - Bottom Exit with Studs (2" on center)
 - or ME - Multi-Exit
 - or MES - Multi-Exit with Studs (2" on center)
- Remote Mounting 20 feet
- 13W applications also operate on 125VDC input (+)L (-)N

Physical Parameters:

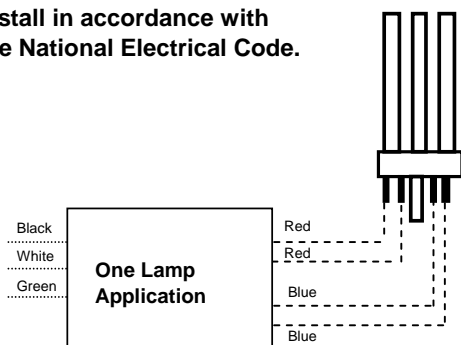
- Overall Length: 4.94"
- Width: 2.31"
- Mounting: 4.61"
- Height: 1.00"
- Weight: 0.57 lbs
- Qty/Cartron: 20
- Color: BE/BES-White
ME/MES-White
- Can Material: Metal

Warranty:

Universal Lighting Technologies warrants to the purchaser that each electronic ballast will be free from defects in material or workmanship for a period of 5 years from date of manufacture when properly installed and under normal conditions of use. Call **1-800-BALLASTx800** for technical assistance.

Manufactured in North America

Install in accordance with the National Electrical Code.



Ballast has plug in wire trap connectors. Use 18 AWG solid copper wire, stripped to 3/8". Ballast Must be Grounded. Use External Ground Wire.

