

PAR36 LED - 5 watt - 282 lumens

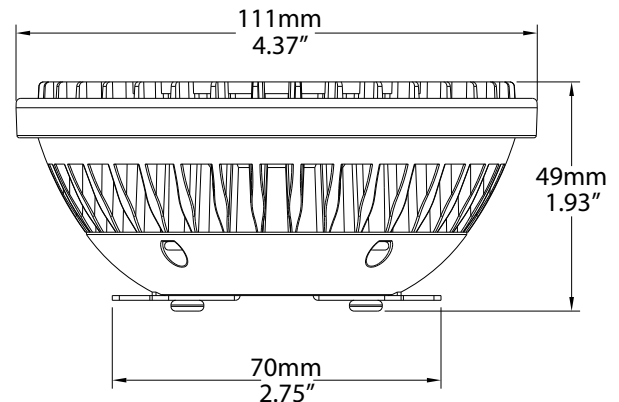
(replaces 20 watt halogen)

Description:

The PAR36 5 watt LED lamp is designed to fit into standard low voltage PAR36 fixtures and thermally engineered to operate in enclosed fixtures.

Specifications/Features:

- Engineered for Landscape Lighting Fixtures
- AC/DC 8-25VOLTS
- 282 Lumen
- Kelvin Temperature: 2700 Warm White
- CRI: 84
- CREE XP-E Chipset
- 50,000 Hour Lamp Life
- Fully potted PC Board
- IP-67 Rated
- Dimmable (with most magnetic transformers)
- 5-Year Warranty



Part Number

PAR36 5 XX XX

- ◊ WW = Warm White
- ◊ CW = Cool White
- ◊ RED = Red
- ◊ GREEN = Green
- ◊ BLUE = Blue
- ◊ AMBER = Amber

Color

Beamspread

- 15 = 15 degree
- 30 = 30 degree
- 60 = 60 degree

Par36 5watt 15degree (SPOT) Candle Power 2000		
2ft	5"	500FC
4ft	11"	125.0
6ft	1'4"	55.6
8ft	1'9"	31.3
10ft	2'3"	20.0
12ft	2'8"	14.0
14ft	3'2"	10.2
16ft	3'7"	8.0
18ft	4'1"	6.2
20ft	4'6"	5.0

Par36 5watt 30degree (FLD) Candle Power 1320		
2ft	1'6"	330FC
4ft	3'	82.5
6ft	4'7"	36.7
8ft	6'1"	20.6
10ft	7'8"	13.2
12ft	9'2"	9.2
14ft	10'9"	6.7
16ft	12'3"	5.2
18ft	13'9"	4.1
20ft	15'4"	3.3

Par36 5watt 60degree (WFL) Candle Power 560		
2ft	2'6"	140FC
4ft	4'8"	35.0
6ft	7'	15.6
8ft	9'4"	8.8
10ft	11'7"	5.6
12ft	13'11"	3.9
14ft	16'2"	2.9
16ft	18'6"	2.2
18ft	20'9"	1.7
20ft	23'1"	1.4