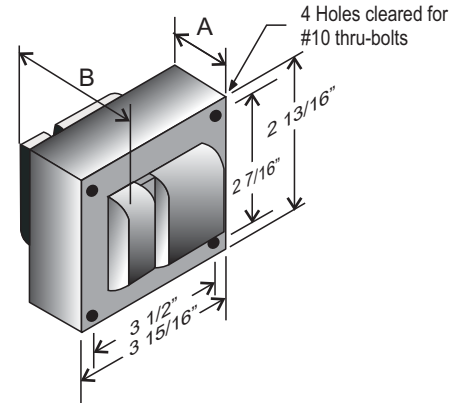


CATALOG NUMBER: E-MCA00W171 FOR ONE 175 WATT, M137/M152 METAL HALIDE PULSE START LAMP

Line Voltage	120/208/240/277V
Regulation	
Line Volts	+/-10%
Lamp Watts	+/- 10%
Frequency	60 Hz
Circuit Type	CWA
Power Factor (min)	90%
Insulation Class	H(180°)
Min. Ambient Starting Temp.	-20° F or -30° C

Line Voltage (Volts)	120	208	240	277
Line Current (Amps)				
Operating	1.80	1.10	0.90	0.80
Open Circuit	1.80	1.10	0.90	0.80
Starting	1.10	0.65	0.55	0.50
Input Watts (W)	208	208	208	208
Open Circuit Voltage (V)	275	275	275	275
Drop Out Voltage (V)	60	104	120	140
UL(1029) Bench Top Rise	D	D	D	D
Recommended Fuse (Amps)	5	3	3	2
HIGH POTENTIAL TEST (VOLTS)				
1 Minute	2000			
2 Seconds	2500			
Open Circuit Voltage Test(volts)	250-300			
Short-Circuit Current Test (Amps)				
Secondary Current	1.65 - 2.00			
Input Current (Amps)	0.70 -	0.40 -	0.35 -	0.30 -
	1.15	0.65	0.60	0.50

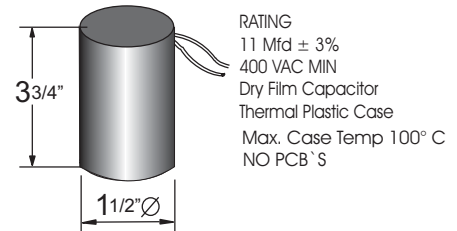
3" x 4" CORE



CORE AND COIL

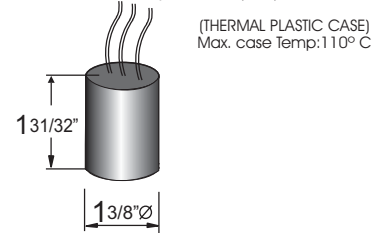
Dimension A (inches)	2.20
Dimension B (inches)	3.50
Weight (Lbs)	8.20
Lead Lengths (inches)	12

CAPACITOR

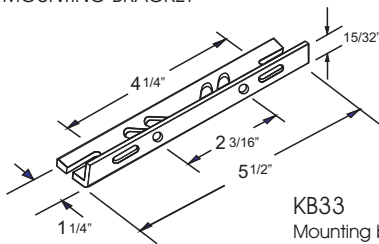


IGNITOR 37-63-AS-6.9-N7

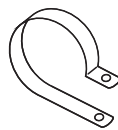
Ballast to Lamp Distance (BTL): 2 feet



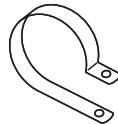
BRACKET CORE & COIL MOUNTING BRACKET



KB33
Mounting bracket for
Core & Coil Ballasts
(1 bracket with thru bolts)



C-01
MOUNTING CLIP for round
case (Furnished as standard
with B suffix ballast)



I-01
MOUNTING CLIP for round
case (Furnished as standard
with B suffix ballast)

ORDERING INFORMATION

*** Add proper suffix to catalog number when ordering as indicated below:

- No suffix = Core and Coil Only
- B= Core and Coil, and Bracket
- C=Core and Coil, and Capacitor
- BC=Core and Coil, Capacitor and Bracket

Data is based upon tests performed by Industrias Sola Basic in a controlled environment and representative of relative performance. Actual Performance can vary depending on operating conditions. Specifications are subject to change without notice.

ISO 9001:2000



WIRING DIAGRAM

