

SMOKE ALARM

10-Year Sealed

First Alert®

CAT. **SA340B**



DUAL IONIZATION

Dual Ionization sensing chamber. Generally more effective at detecting small particles produced by flaming fires.

10-YEAR LITHIUM POWER

10 years of continuous protection. No battery change required. Provides audible notice when alarm has reached its end of life.

TAMPERPROOF SEALED ALARM

Powercell cannot be removed after installation.

SILENCE FEATURE

Silences and tests alarm with a single button.

Sealed (Three 3V) Lithium Power Cells

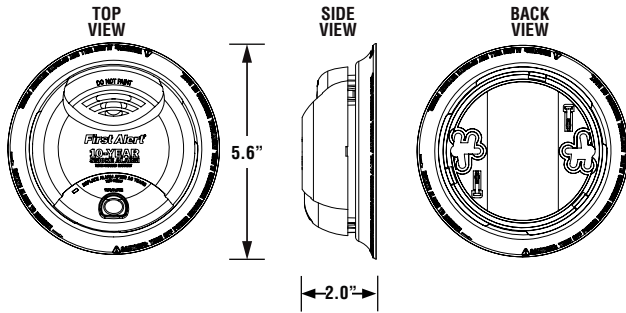
Description:

The First Alert Cat. No. SA340B is a battery operated, 9V (three 3V lithium power cells) single station smoke alarm specifically designed for residential and institutional applications including sleeping rooms of hospitals, hotels, motels, dormitories and other multi-family dwellings as defined in standard NFPA 101. Model SA340B complies with UL217, CSFM, NFPA 72, HUD, FHA and other agencies that model their codes after the above agencies. It meets building codes where tamperproof 10-year sealed lithium battery operated smoke alarms are required.

First Alert SA340B features a dual ionization smoke sensing chamber, an 85 dB horn, a sealed 10-year lithium power cell power supply that is permanently installed upon activation of unit, a single button for test/silence and a red LED that blinks to indicate unit is receiving power. The tamperproof design will not allow the powercells to be removed after installation. The low power warning indicator will cause the alarm to "chirp" when it reaches the end of its service life and needs to be replaced. Upon end of life, the unit meets UL requirements for disabling the alarm and non-reinstallation of unit to mounting bracket. Designed for surface mounting, the SA340B includes mounting anchors and screws. Includes a gasketless base for easy installation and a new mounting bracket that keeps the alarm secure over a wide rotation range to allow for perfect alignment.



CAT. SA340B



TECHNICAL SPECS

Alarm Dimensions:	5.6" dia x 2.0"H
Weight:	6.9 oz.
Operating Voltage:	9V (three 3V) Lithium Power Cells
Temperature Range:	40°F (4°C) to 100°F (38°C)
Humidity Range:	10% to 90% relative humidity (RH)
Audio Alarm:	85dB at 10 feet
Test/Silence:	Electronically simulates smoke condition, causing the unit to alarm
Manual:	Press and hold test/silence button
Alarm Reset:	Automatic when smoke clears
Smoke Sensor:	Dual Ionization
Indicator Lights/Sounds:	
DC Power:	Intermittent Red Light
Alarm:	Audio alarm, rapidly flashing red light
Listing:	Listed to UL217 Standard

ARCHITECTURAL AND ENGINEERING SPEC

The smoke alarm shall be a First Alert Model SA340B and shall provide at a minimum the following features and functions:

1. A dual ionization sensing chamber.
2. The unit shall be capable of self restoring.
3. Powered by a sealed 10-year lithium powercell with a tamperproof design. The tamperproof design shall not allow the powercell to be removed after installation. A low power warning indicator shall cause the alarm to "chirp" when it reaches the end of its service life and needs to be replaced. Upon end of life, the unit shall meet UL requirements for disabling the alarm and the non-reinstallation of unit to mounting bracket.
4. A solid state piezo horn rated at 85 dB at 10 feet.
5. A visual LED power-on indicator to confirm unit is receiving power or is in alarm.
6. A full function test button. The test button should check all alarm functions by stimulating the chamber to simulate a smoke condition, causing the unit to alarm and also has a silence feature to silence unwanted nuisance alarms.
7. The unit shall be capable of operating between 40°F (4°C) and 100°F (38°C) and relative humidity between 10% and 90%.
8. The unit shall contain mounting hardware and shall be listed for wall or ceiling mounting.
9. The unit shall at a minimum meet the requirements of UL217, CSFM, NFPA 72, NFPA 101, ICC.

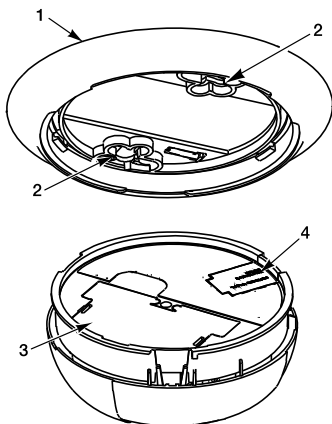
SHIPPING SPECS:

Individual Carton Dimensions	5.75 "L x 2.00"W x 6.75"H
Weight	0.55 lbs.
Cube	0.05 ft3
UPC	0 29054 00066 8
Master Carton Dimensions	12.75"L x 6.00"W x 7.25"H
Master Pack	6
Weight	3.6 lbs.
Cube	0.32 ft3
I2 of 5	100 29054 00066 5
Pallet Information	
Cases per Layer	24
Number of Layers	6
Cases per Pallet	144
Units per Pallet	864
Cube	46.8 ft3
Weight	786 lbs.

INSTALLATION OF ALARM

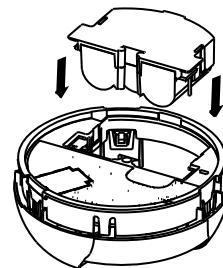
Installation of this smoke alarm must conform to NFPA 72. Always check your local building codes. Follow all instructions for placement as outlined in the user's manual.

THE PARTS OF THIS SMOKE ALARM

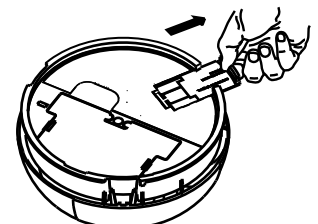


1. Mounting bracket
2. Mounting slots
3. 10-Year Lithium Powercell
4. De-activation Tab (located under label)

HOW TO ACTIVATE AND DE-ACTIVATE THIS ALARM



Inserting Powercell



De-activating Alarm



©2009 BRK Brands, Inc. a Jarden Corporation
Company (NYSE: JAH)
3901 Liberty Street Road
Aurora, IL 60504-8122
All rights reserved

First Alert is a registered trademark of the First Alert Trust
BRK is a registered trademark of BRK Brands, Inc.
CM2910