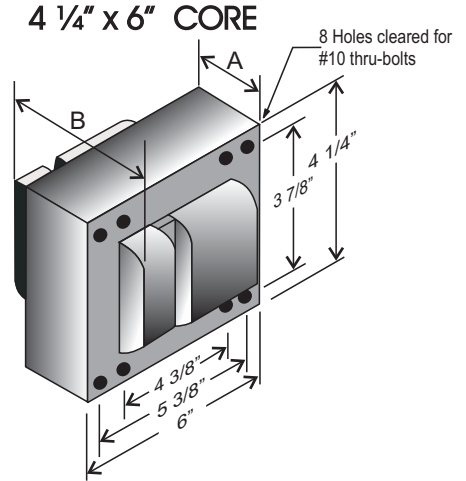


CATALOG NUMBER: E-971-WDD-SO1000 FOR ONE 1000 WATT, S52 HIGH PRESSURE SODIUM LAMP

Line Voltage	120/208/240/277/480 V
Regulation	
Line Volts	+/-10%
Lamp Watts	WITHIN TRAPEZOID
Frequency	60 Hz
Circuit Type	CWA
Power Factor (min)	90%
Insulation Class	H(180°)
Min. Ambient Starting Temp.	-40° F or -40° C

Line Voltage (Volts)	120	208	240	277	480
Line Current (Amps)					
Operating	9.5	5.5	4.7	4.1	2.4
Open Circuit	4.5	2.55	2.1	1.95	1.0
Starting	8.55	4.90	4.25	3.75	2.15
Input Watts (W)	1100	1100	1100	1100	1100
Open Circuit Voltage (V)	440	440	440	440	440
Drop Out Voltage (V)	90	155	180	210	350
UL(1029) Bench Top Rise	C	B	B	B	A
Recommended Fuse (Amps)	25	15	12	10	6

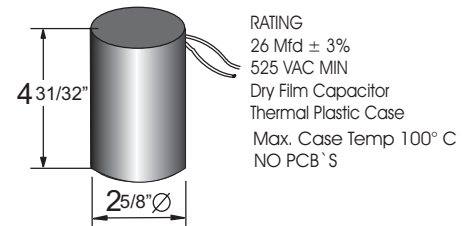
HIGH POTENTIAL TEST (VOLTS)	
1 Minute	2000
2 Seconds	2500
Open Circuit Voltage Test (volts)	405-485
Short-Circuit Current Test (Amps)	
Secondary Current	6.8 - 7.7
Input Current (Amps)	7.6 - 8.9 4.4 - 5.2 3.8 - 4.4 3.35 - 3.90 1.95 - 2.25



CORE AND COIL

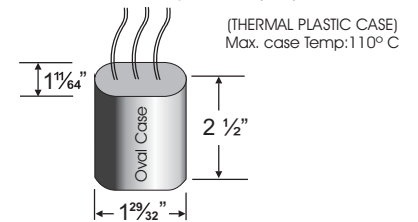
Dimension A (inches)	3.99
Dimension B (inches)	6.25
Weight (Lbs)	31.00
Lead Lengths (inches)	12

CAPACITOR



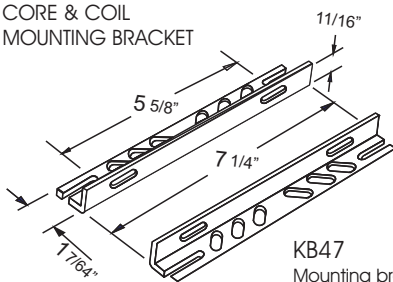
IGNITOR 37-90-AS-13.1-N1

Ballast to Lamp Distance (BTL): 2 feet

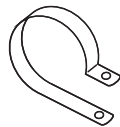


BRACKET

CORE & COIL
MOUNTING BRACKET



KB47
Mounting bracket for
Core & Coil Ballasts
(2 brackets with thru bolts)

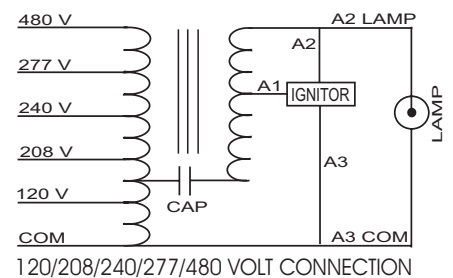


C-01
MOUNTING CLIP for round
case (Furnished as standard
with B suffix ballast)



I-01
MOUNTING CLIP for oval
case (Furnished as standard
with B suffix ballast)

WIRING DIAGRAM



ORDERING INFORMATION

*** Add proper suffix to catalog number when ordering as indicated below:

- No suffix = Core and Coil Only
- B = Core and Coil, and Bracket
- C = Core and Coil, and Capacitor
- BC = Core and Coil, Capacitor and Bracket

Data is based upon tests performed by Industrias Sola Basic in a controlled environment and representative of relative performance. Actual Performance can vary depending on operating conditions. Specifications are subject to change without notice.

ISO 9001:2000



Made in Mexico by Industrias Sola Basic S.A de C.V.