

TUNGSTEN HALOGEN LAMPS • MR-16 REFLECTOR

JCR SERIES

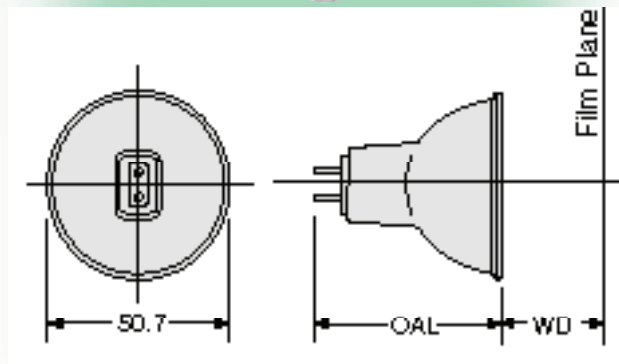
- Focused Beam for Optical Applications
- Only for Use in Approved Enclosed Halogen Fixtures
- 2-Pin Base
- 50mm Dichroic Coated Reflector

- Operate Base Down to Horizontal



Watts	Ushio Ordering Code	Ushio Lamp Code	Dimensions	Reflector Type	Filament Type	Working Distance mm	Luminous Intensity cd	Center Screen Illuminance lx	Color Temp K	Avg Life h	Burn Position
			OAL mm								
2-Pin Base – GX5.3 MR-16 Reflector											
150	1000173	DDL, JCR20V-150W	44.5	Faceted	CC-6	194.5	—	400	3150	500	BD/Hor
150	1000297	EJA, JCR21V-150W	44.5	Specular	CC-6	28.0	—	—	3400	40	BD/Hor
150	1000301	EJM, JCR21V-150W	44.5	Specular	CC-6	38.1	—	—	3400	40	BD/Hor
150	1000302	EJV, JCR21V-150W	44.5	Specular	CC-6	44.5	—	1500	3400	40	BD/Hor
150	1000306	EKE, JCR21V-150W	44.5	Specular	CC-6	44.5	—	900	3250	200	BD/Hor
150	1000319	ELD/EJN, JCR21V-150W	44.5	Stippled	CC-6	50.8	—	320	3400	40	BD/Hor
150	1002247	ELD/K, JCR21V-150W	44.5	Stippled	CC-6	165.0	—	—	3400	40	BD/Hor
200	1000300	EJL, JCR24V-200W	44.5	Specular	CC-6	31.7	—	1100	3400	50	BD/Hor
200	1000314	EKX, JCR24V-200W	44.5	Stippled	CC-6	139.7	—	—	3400	25	BD/Hor
225	1003034	EZF/K, JCR69V-225W	44.5	Faceted	CC-8	152.4	—	500	—	500	BD/Hor
250	1000318	ELC, JCR24V-250W	44.5	Specular	CC-6	31.7	—	1500	3400	50	BD/Hor
250	1003106	ELC-3, JCR24V-250W	44.5	Specular	CC-6	31.8	—	960	3400	300	BD/Hor
250	1003264	ELC-5, JCR24V-250W	44.5	Specular	CC-6	31.8	—	960	3400	500	BD/Hor
250	1001037	ELC/C, JER24V-250W	44.5	Specular	CC-6	31.8	—	800	3400	50	BD/Hor
340	1000353	ERV, JCR36V-340W	44.5	Faceted	CC-8	298.5	—	—	3300	75	BD/Hor

Center Screen Illuminance - Approximate value for reference only



GX5.3