



NTM-5220 NTM-5230 NTM-5238

Ceramic Metal Halide (CMH) High Tech Wire Cone

LAMP WATTAGE

- (1) CDM35/PAR20 (1) CDM35/PAR30L
- (1) CDM70/PAR30L (1) CDM70/PAR38
- (1) CDM100/PAR38

DESCRIPTION

Ceramic Metal Halide (CMH) high-tech design finished dual steel wire yoke and gimbal. Utilizes electronic metal halide ballast designed for use with higher CRI Index MasterColor (or equivalent) PAR metal halide light sources.

FEATURES

- Electronic ballast
- Sleek, modern dual wire frame
- Deep drawn steel socket cup housing for high strength and rigidity
- Steel conical face
- Heat resistant Teflon coated wire lead
- High-strength stainless steel electrical contacts
- One or two circuit track capable

HOUSING, SOCKET CUP

.025 Deep drawn steel construction with softened edges. Conical face completely houses PAR metal halide light source for clean, finished appearance. Groove and tightening knob allow socket to be adjusted and locked into position for optimal lighting performance and fixture appearance.

WIRE FRAME

Solid .20 baked enamel finished solid steel square wire. Provides modern, low profile appearance. Yoke also maintains dual wire frame design and provides full lateral and vertical adjustment. Dual plastic angle tightening knobs maintain clean, decorative appearance of the fixture and provide secure angle position.

BALLAST

Integral high power factor electronic solid state Type-1 ballast housed in .030 finished steel enclosure. Ballast provides automatic termination upon end of lamp life. i.e. "End of Life" protection.

Input Voltage:	120V
Power Factor:	>95%
Sound Rating:	A
Frequency	170 Hz (square wave)
Min. Starting Temp.:	5°F (-15°C)
Total Harmonic Distortion	<10%
Ballast Life Expectancy	56,000 hours (at 75°C)
Input Power:	35W 70W 100W
Input Watts	44 78 110
Operating Amps	.37 .67 .90

SOCKET

4KV 660VA/600V Porcelain jacketed aluminum screw thread medium-base socket.

WIRING

Teflon coated wire lead connects socket and housing to electrical contact head. Teflon coating is durable and resists heat degradation from lamp and housing radiation.

CONTACT HEAD ASSEMBLY

Three .030 stainless steel contacts mounted in high heat rated plastic housing.



NTM-5220



NTM-5238

PRODUCT MATRIX

NTM-5220/35	B,W CDM35/PAR20 High Tech Wire Gimbal
NTM-5230/35	B,W CDM35/PAR30L High Tech Wire Gimbal
NTM-5230/70	B,W CDM70/PAR30L High Tech Wire Gimbal
NTM-5238/70	B,W CDM70/PAR38 High Tech Wire Gimbal
NTM-5238/100	B,W CDM100/PAR38 High Tech Wire Gimbal

DIMENSIONS

NTM - 5 2 2 0

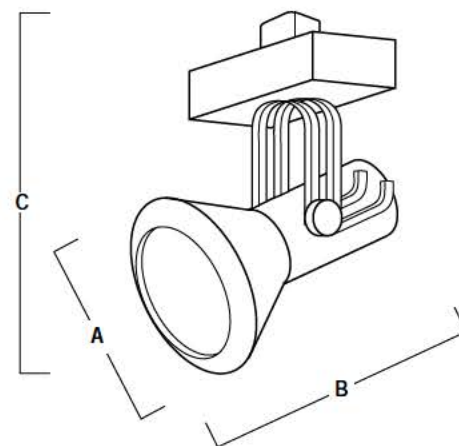
A: Diameter	4-1/4"	(108 mm)
B: Length	5-5/8"	(143 mm)
C: Max Extension	10-3/8"	(26 cm)

NTM - 5 2 3 0

A: Diameter	4-7/8"	(124 mm)
B: Length	6-3/4"	(171 mm)
C: Max Extension	11-3/8"	(29 cm)

NTM - 5 2 3 8

A: Diameter	6"	(153 mm)
B: Length	7-1/8"	(181 mm)
C: Max Extension	12-1/8"	(31 cm)



ONE/TWO CIRCUIT CONVERSION

Positive contact (opposite neutral and ground contacts) is preset to "down" position at factory, but may be raised to the higher position to install onto the second circuit of Nora Lighting NT-2300 series two-circuit track.

FINISHES

White or Black heat rated baked enamel paint. Custom painting or anodizing for special applications is also available. Custom finishes will require lead times that vary depending on vendor schedules. Please consult factory for quotation, and provide either a Dunn Edwards number or color chip for exact matching.

COMPATIBILITY

Nora track fixtures are interchangeable with Halo, Catalina, Hampton Bay, Halo-Edison, or any other brands configured to Halo track system design. *Note: fixtures may not be compatible with non-Nora transformers or monopoint adapters.*

UL LISTED

UL Listed as track lighting fitting

ACCESSORIES

Custom FinishesConsult Factory