



NTM-5038 NTM-5138

Ceramic Metal Halide (CMH) PAR38 Cylinder

LAMP WATTAGE

- (1) CDM70/PAR38
- (1) CDM100/PAR38

DESCRIPTION

Ceramic Metal Halide (CMH) round or flat back cylinder with integral ballast. Utilizes electronic metal halide ballast designed for use with higher CRI Index MasterColor (or equivalent) PAR metal halide light sources. Phenolic baffle finishes appearance and reduces glare from the interior of the housing. Cylinder accepts accessories such as Nora louver or barn door attachments, as well as color filters (by others) to provide flexibility in designing for greater control or special effects.

FEATURES

- Electronic ballast
- Simple, aesthetic cylindrical design
- Deep drawn steel construction for high strength and rigidity
- Heat resistant Teflon coated wire lead
- High-strength stainless steel electrical contacts
- One or two circuit track capable
- Accepts filters, louver, or barn door accessories

HOUSING, SOCKET CUP

.025 Deep drawn steel construction with softened edges.

BAFFLE

.085 Black finished phenolic high heat rated plastic baffle. Provides finished appearance and assists in eliminating glare from housing interior.

BALLAST

Integral high power factor electronic solid state Type-1 ballast housed in .030 finished steel enclosure. Ballast provides automatic termination upon end of lamp life. i.e. "End of Life" protection.

Input Voltage:	120V
Power Factor:	>95%
Sound Rating:	A
Frequency:	170 Hz (square wave)
Min. Starting Temp.:	5°F (-15°C)
Total Harmonic Distortion:	<10%
Ballast Life Expectancy:	56,000 hours (at 75°C)
Input Power:	70W 100W
Input Watts:	78 110
Operating Amps:	.67 .90

SOCKET

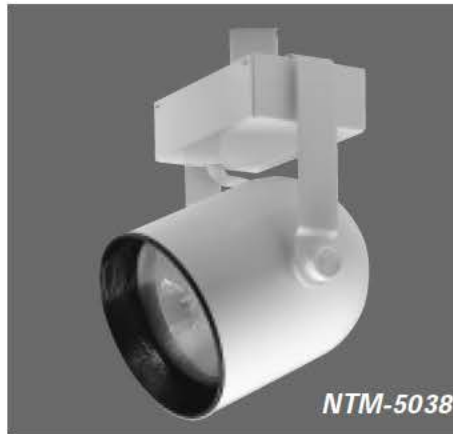
4KV 660VA/600V Porcelain jacketed aluminum screw thread medium-base socket.

WIRING

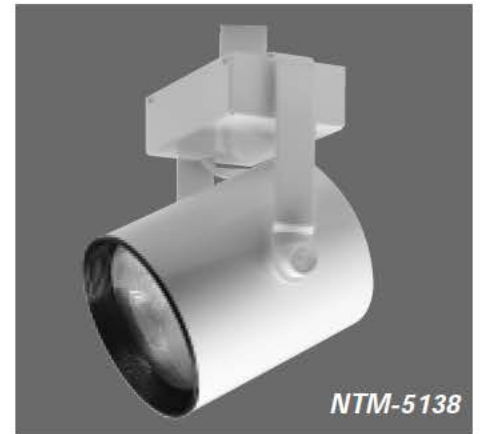
Teflon coated wire lead connects socket and housing to electrical contact head. Teflon coating is durable and resists heat degradation from lamp and housing radiation.

YOKE

.085 Rigid steel dual yoke connects fixture housing to electrical contact head. Dual plastic angle tightening knobs maintain clean, decorative appearance of the fixture and provide secure angle position.



NTM-5038



NTM-5138

PRODUCT MATRIX

NTM-5038/70 B,W CDM70/PAR38 Round Back Cylinder

NTM-5038/100 B,W CDM100/PAR38 Round Back Cylinder

NTM-5138/70 B,W CDM70/PAR38 Flat Back Cylinder

NTM-5138/100 B,W CDM100/PAR38 Flat Back Cylinder

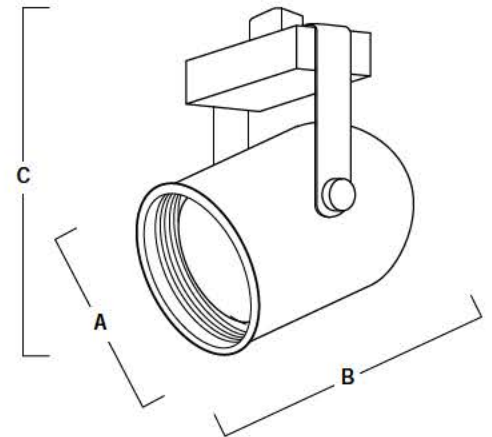
DIMENSIONS

NTM - 5038

A: Diameter	5-5/8"	(143 mm)
B: Length	7-1/8"	(181 mm)
C: Max Extension	12-1/4"	(31 cm)

NTM - 5138

A: Diameter	5-5/8"	(143 mm)
B: Length	6-5/8"	(168 mm)
C: Max Extension	12-1/4"	(31 cm)



CONTACT HEAD ASSEMBLY

Three .030 stainless steel contacts mounted in high heat rated plastic housing.

ONE/TWO CIRCUIT CONVERSION

Positive contact (opposite neutral and ground contacts) is preset to "down" position at factory, but may be raised to the higher position to install onto the second circuit of Nora Lighting NT-2300 series two-circuit track.

FINISHES

White or Black heat rated baked enamel paint. Custom painting or anodizing for special applications is also available. Custom finishes will require lead times that vary depending on vendor schedules. Please consult factory for quotation, and provide either a Dunn Edwards number or color chip for exact matching.

COMPATIBILITY

Nora track fixtures are interchangeable with Halo, Catalina, Hampton Bay, Halo-Edison, or any other brands configured to Halo track system design. *Note: fixtures may not be compatible with non-Nora transformers or monopoint adapters.*

UL LISTED

UL Listed as track lighting fitting

ACCESSORIES

Custom Finishes Consult Factory
Accessory Holder NT-346
Louver* NT-343
Barn Door Assembly/Accessory Holder NT-340
Filter* 5-9/16" (by others)
** Requires use of either NT-346 Accessory Holder or NT-340 Barn Door Assembly/Accessory Holder*