



Cold Cathode Lamp Specifications

Torpedo Shaped Cold Cathode Lamps

- 25,000 Hours average rated life

Item #	Wattage	Description	Lamp Shape	M.O.L. (inches)	Diameter (inches)	Initial Lumens	Base Type
8T03CL	3	Cold Cathode Torpedo, Clear	Torpedo	4.0	1.4	120	E26
8T03F	3	Cold Cathode Torpedo, Frost	Torpedo	4.0	1.4	120	E26
8T03LV	3	Cold Cathode Torpedo, LV	Torpedo	4.0	1.4	115	E26
8T03WH	3	Cold Cathode Torpedo, White	Torpedo	4.0	1.4	120	E26
8T05CL	5	Cold Cathode Torpedo, Clear	Torpedo	4.4	1.4	200	E26
8T05F	5	Cold Cathode Torpedo, Frost	Torpedo	4.4	1.4	200	E26
8T05LV	5	Cold Cathode Torpedo, LV	Torpedo	4.4	1.4	190	E26
8T05WH	5	Cold Cathode Torpedo, White	Torpedo	4.4	1.4	200	E26
8T08CL	8	Cold Cathode Torpedo, Clear	Torpedo	5.8	2.0	300	E26
8T08F	8	Cold Cathode Torpedo, Frost	Torpedo	5.8	2.0	300	E26
8T08LV	8	Cold Cathode Torpedo, LV	Torpedo	5.8	2.0	280	E26
8T08WH	8	Cold Cathode Torpedo, White	Torpedo	5.8	2.0	300	E26

Applications

- Replaces Incandescent for: accent lighting, chandeliers, decorative, sanctuaries and theaters.
- Ideal for dimmable fixtures.

Special Application Options (ordering suffix)

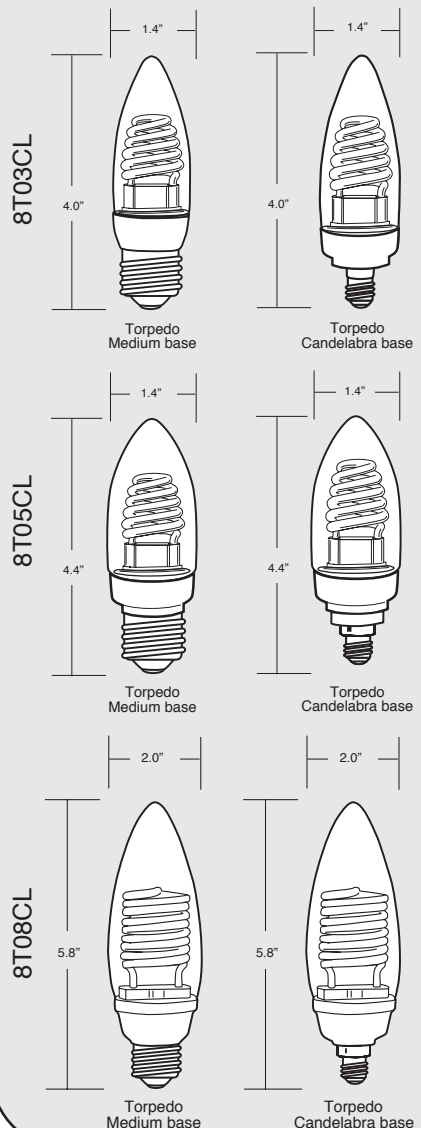
- 4100K (41K)
- Bulk Packed (BULK100)
- Tip Base (PERM)

Features and Benefits

- Long life: 25,000 hours.
- Cold Cathode lamps are excellent for dimming and rapid cycling applications.
- Special phosphor coating procedure provides excellent color consistency.
- Color coating is resistant to fading and the effects of UV.
- Replaces 15W to 40W incandescent lamps, saving up to 25 watts/bulb.
- UL listed, product suitable for indoor or outdoor use.
- Available in E26 or Candelabra base.

Specifications (at full brightness)

Ballast Type	Electronic
Input Line Voltage	120VAC
Input Line Frequency	50/60HZ
Lamp Life (rated)	25,000 Hours
Color Temperature	2700K or 4100K
Color Rendering Index	82
Minimum Starting Temperature	-20 ° F
Maximum Operating Temperature	160 ° F
U.L. / C.U.L. Listed	Yes - E149698
FCC Compliance	Part 18, Subpart C
Lamp Operating Frequency	45 KHZ
Lamp Current Crest Factor	< 1.60
Power Factor	> .90
Total Harmonic Distortion	< 33%



2 YEAR WARRANTY