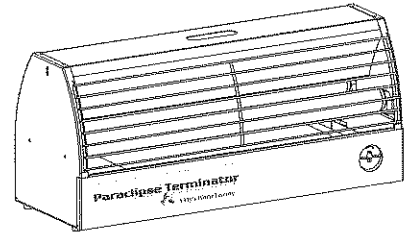


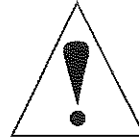
Paraclipse®

AUTOMATED INSECT CONTROL DIVISION

Paraclipse™ Terminator INTERNATIONAL VERSION



This symbol is intended to alert you of the presence of dangerous voltage within the unit's enclosure that may be of sufficient magnitude to constitute a risk of electric shock.



This symbol is intended to alert you of the presence of important operating and maintenance instructions accompanying the unit.



CAUTION! To reduce the risk of electric shock, observe the following: 1) Do not remove the motor enclosure. No user serviceable parts are inside. 2) This product is intended for use indoors only. Do not use where it may be exposed to water or direct sunlight, including roofed but open porches, barns, stables and similar type buildings. 3) Use only extension cords with electrical ratings equivalent to IEC-320 standards with an electrical rating of at least 220/240v AC, 50/60 Hz, and 0.3 amps. Use only extension cords which have plugs and receptacles which accept product's plug. 4) Replace or repair damaged cords. 5) Don't abuse cord. Never carry product by cord or yank it to disconnect it. Keep cord from heat, oil, and sharp edges. 6) Disconnect the product from power supply when not in use, before servicing, or when changing bulbs. 7) Extension cords & devices for retaining an extension cord connection to the power supply cord are available.



CAUTION! To avoid risk of contamination, observe the following: Dead insects are unsanitary. Use care in removing used cartridge.

EC Declaration of Conformity

We declare that:

Equipment Insect killer
Model name/number Terminator

in accordance with the following Directives:

73/23/EEC The Low Voltage Directive and its amending directives
89/336/EEC The Electromagnetic Compatibility Directive and its amending directives

has been designed and manufactured to the following specifications:

EN60335-2-59:1998 Safety of electrical appliances- insect killers
EN55015:1996 Electromagnetic compatibility- emissions
EN50082-1:1998 Electromagnetic compatibility- immunity

I hereby declare that the equipment named above has been designed to comply with the relevant sections of the above referenced specifications. The unit complies with all essential requirements of the Directives.

Signed by: *Kevin Sinclair* Date: 4-19-2000

Name: Kevin Sinclair

Position: Engineering Manager



373/00D0363

CE00

Paraclipse

AUTOMATED INSECT CONTROL DIVISION
2271 East 29th Ave. P. O. Box 686
Columbus, NE 68602-0686 USA
Telephone: 402-563-3625 FAX: 402-564-2109

72958-04-30-08

SAVE THESE INSTRUCTIONS

TABLE OF CONTENTS

Mounting Locations	Page 3
Mounting Options	Page 4
Bulb Insertion and Grill	Page 5
Cartridge Insertion	Page 6
Manual Paper Advance	Page 6
Cartridge Alarm	Page 7
Maintenance	Page 8

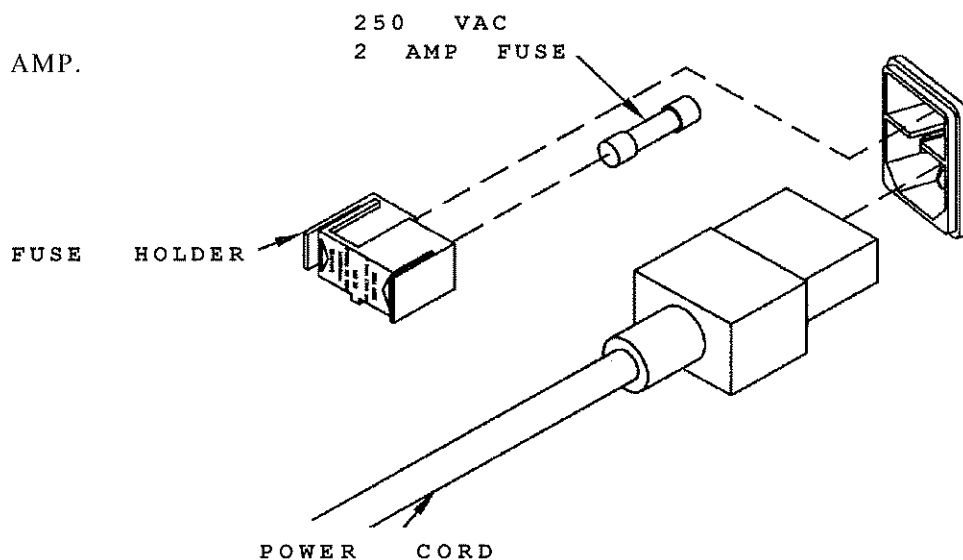
POWER CORD:

The power cord is only supplied as an option by the distributor. If own cord is used, it must be compatible with the IEC-320 socket and a C-13 type SVT cable entry.

Once you have the proper power cord you should follow the steps laid out in the instruction guide. When you are finished and ready to start using the **Paraclipse™ Terminator**, plug the proper cord into the **Paraclipse™ Terminator** (see Illustration below) and then into the power outlet.

FUSE :

Use only a 250 VAC 2 AMP.



MOUNTING LOCATIONS

1. Your Paraclipse™ Terminator will attract and catch many types of insects. The trap's superior effectiveness is based on an insects' desire to be attracted to the integrally designed ultraviolet light source and specialized attractants. Trap placement is important to optimize the performance of the trap. Traps installed in areas without obstruction can cover up to about 4000 square feet (750 square meters). For best results follow the below listed guidelines.

A) Select an area (see fig. 1) near an electrical outlet or plan to bring an electrical source to the area. The simplest installation is to place the trap within 6' (1.8m) of an electrical outlet but because this may not always be practical it may be necessary to wire a new source of electricity near the ideal trap placement location.

If a new source of electricity is required seek the help of a qualified electrician.



B) Install near room entrances. This will maximize the chances the trap will catch the insects as they enter a room.

C) Install near areas of highest insect population.

D) Install in areas where room temperatures average above 50° F (10°C). Most insects like to be in a warm ambient temperature. Installing your trap in a warm room will help maximize the insect catch.

E) Install unit 4' to 6' (1.2m to 1.8m) above the floor.

F) DO NOT INSTALL near competing light sources such as windows, near water or other damp locations, where traffic could possibly damage the unit or near excessive heat sources such as ovens or furnaces.

Fig. 1

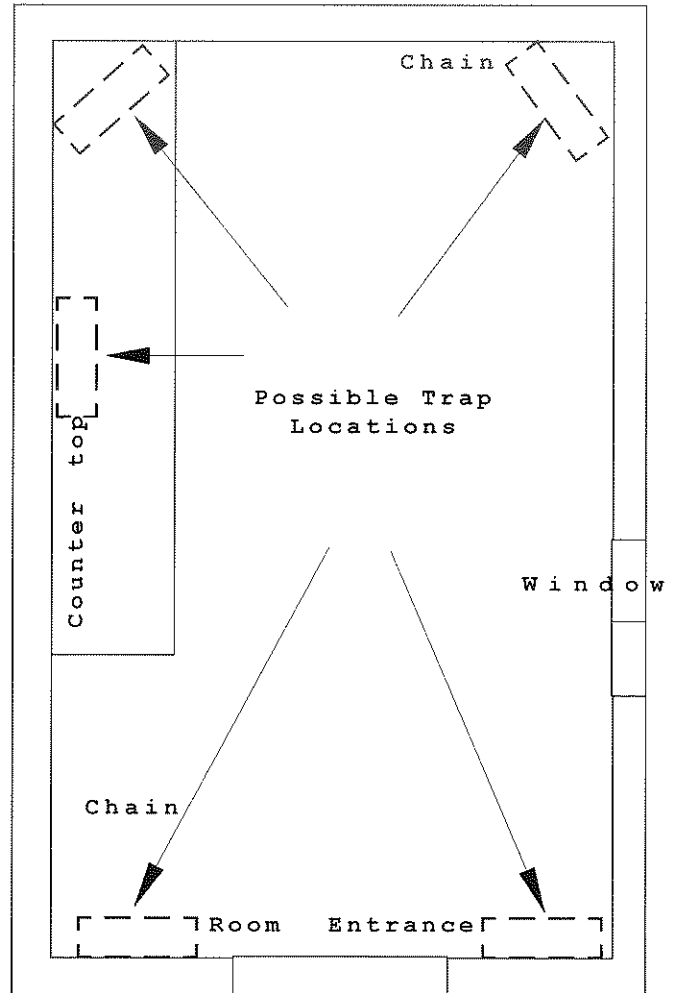


Fig. 2



MOUNTING OPTIONS

2. Types of mounting Your Paraclipse™ Terminator can be mounted two different ways. Mount your trap using the type which best fits your application.

A) Ceiling Mounted (fig. 3) When mounting your Paraclipse™ Terminator to the ceiling be certain to take into account the trap location and suitable ceiling structure from which to hang your trap. Using the chain and S hooks supplied mount your trap to the ceiling supports. **Note:** Because of the variety of ceiling mounting structures no hardware is supplied to attach to the specific type of ceiling structure. Be certain suitable lag bolts, toggle bolts, eye bolts etc. are used which will support up to 40 lbs (20kg) each.

B) Table Mounting (fig. 4) Simply place the trap on a table in a suitable location near an electrical outlet. **DO NOT INSTALL** near competing light sources, near water or other damp locations, where traffic could possible damage the unit or near excessive heat sources such as ovens or furnaces.

TIP

Which ever mounting method is selected. you will maximize the performance by incorporating two main concepts. Locate your Paraclipse™ Terminator 4' to 6' (1.2 m to 1.8 m) above the floor. Locate your Paraclipse™ Terminator close to a wall preferably a white or light colored wall. Please use these tips to ensure your Paraclipse™ Terminator is effectively eliminating your insect problem.

Fig. 3

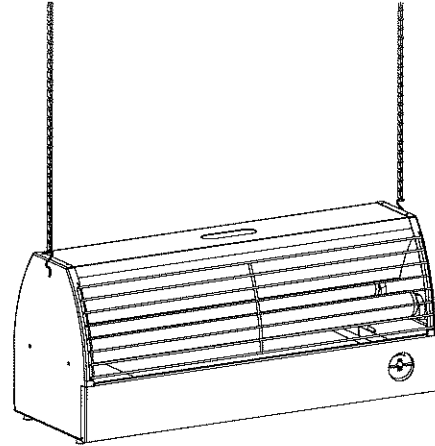
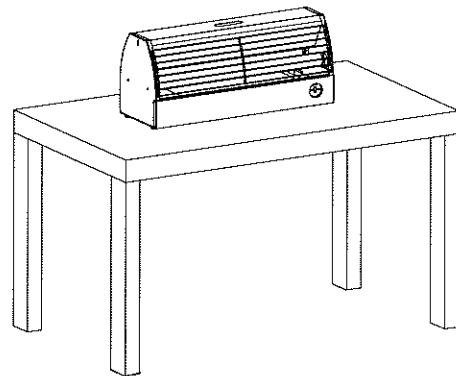


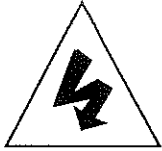
Fig. 4



BULB INSERTION, GRILL

3. Grill removal and installation

To remove the two specially designed safety grills simply lift the grills up to a horizontal position and pull the grill out of the mounting holes. To install the grills align the grill end rods with the two mounting holes and push in while lowering the grill. See fig. 5.



**WARNING: DISCONNECT
UNIT FROM ELECTRICAL
OUTLET.**

4. Remove bulbs from shipping protectors

Carefully remove the two bulbs from the shipping cardboard. It may be necessary to tip the bulbs at an angle to remove them from your trap. Discard the bulb protector cardboard. See fig. 6.

5. Install the two Ultraviolet Bulbs

Insert the two Bulbs into the bulb sockets and twist 90°. See fig. 7. Reinstall the grills.

Note: By 8 months the UV output of the bulb has lost approximately 30% of the effectiveness and should be replaced. After this time the bulb may still light but it no longer emits enough of the special UV light frequencies required for an effective insect catch. It is therefore recommended to replace the bulbs every 8 months of use to maintain optimum performance of the unit.

Replacement bulbs: Paraclipse #72917

Troubleshooting:

If the bulbs will not light check the following:
1) The unit is plugged in.

2) Both bulbs are inserted properly and rotated 90°.

Fig. 5

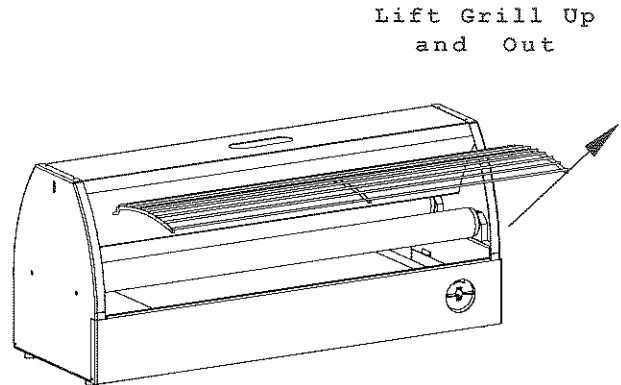


Fig. 6

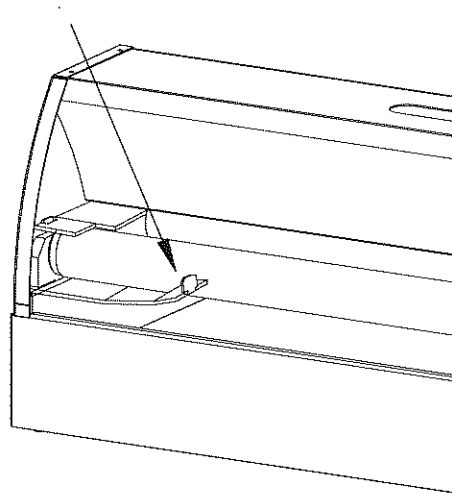
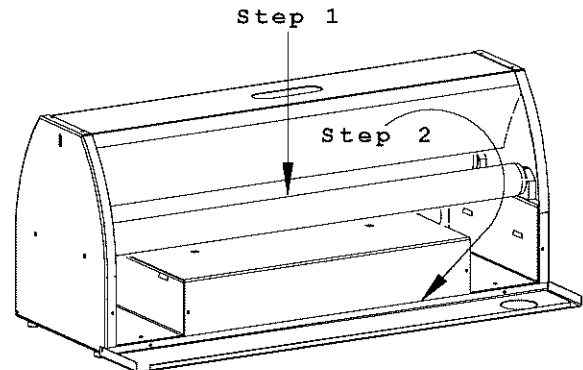


Fig. 7



**Step 1. Insert Bulbs
Step 2. Rotate 90°**

CARTRIDGE INSERTION AND MANUAL PAPER ADVANCE



DEAD INSECTS ARE UNSANITARY.

6. Cartridge Insertion

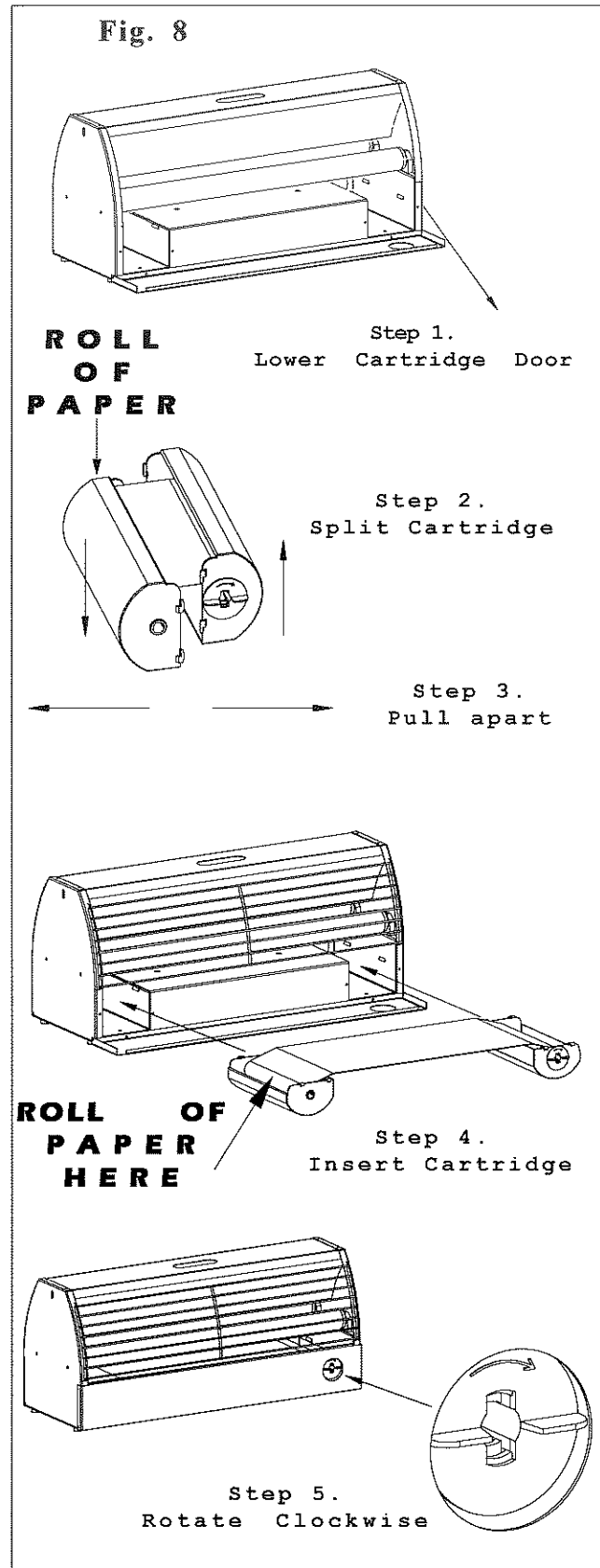
The tacky cartridge paper and unique motor drive system are the heart of this state-of-the-art insect trap. The ease of changing the cartridge and safety provided (because of unsanitary dead insects) sets your **Paraclipse™ Terminator** trap apart from all others. The tacky cartridge can also be used as an aid in monitoring insect types and volumes. The side of the paper is marked every 3" (7.5 cm) with a line that has various thicknesses. The 3" (7.5 cm) lines get thicker as the tacky paper is advanced. The 3" (7.5 cm) line thickness pattern repeats every 21" (53.5 cm) .

A) New Paraclipse™ Terminator
Your new **Paraclipse™ Terminator** is shipped with the cartridge pre-installed. All that is required is for you to manually advance the cartridge so that a tacky surface is available to catch insects. (See Fig. 8 Step 5)

B) Replacement cartridges To install a replacement cartridge lower the cartridge door (see fig. 8). Unsnap the new cartridge halves to separate. Slowly separate cartridge halves (and unwind paper) so the cartridge halves are approximately 16 inches (41 cm) apart. Slide the cartridge halves into place, making certain the roll of paper is on the left side, and making certain the right cartridge shaft is engaged with the motor drive shaft. Close the cartridge door.

7. Manual paper advance

To manually advance the tacky paper surface simply turn the right advance knob **clockwise** until the desired amount of tacky paper is available to catch insects. This is required when installing a replacement cartridge and when you need to advance the tacky paper because of a heavy insect catch. (See fig. 8 step 5)

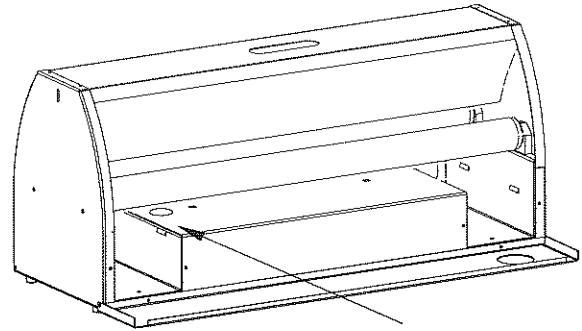


CARTRIDGE ALARM, CARTRIDGE SPEED SELECTOR

8. Cartridge Alarm

Fig. 9

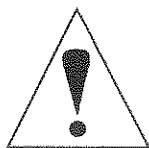
The Paraclipse™ Terminator has a design feature unique to the insect trap industry. The trap emits an audible beep when it is time to replace the cartridge! This feature allows the user a worry free approach to changing cartridges. When you hear the trap beeping, it is time to install a new cartridge. The operation is simple. When tacky paper no longer covers the hole in the top of the paper holder plate (see fig. 9) a state-of-the-art electronic light sensor recognizes this and begins to emit a high pitched beep.



Cartridge Alarm
Sensor Hole

A) Testing: To test the operation of the cartridge alarm, lower the cartridge door and carefully remove the cartridge. Your Paraclipse™ Terminator should emit an audible beeping. To stop the beeping install a fresh cartridge. **Note:** Because a cartridge is essential for the trap to function properly, if a new cartridge is unavailable for installation, unplug the trap to turn off the cartridge alarm until a replacement cartridge is available.

***Note:** Because the length of time a cartridge will last is proportional to the amount of insects caught on the tacky surface (or manual cartridge advances), the days a cartridge will last are approximate times only.



DEAD INSECTS ARE UNSANITARY.

CARTRIDGE MAINTENANCE: The tacky surface of the Cartridge advances slowly, but regularly and can remain effective up to 60 days, depending on the volume of insect catch.

1) When the tacky surface is no longer available or you hear the audible "out of paper beep" (see page 7 fig. 9) you will need to replace the cartridge (see page 6 fig. 8 for instructions),

2) If the surface is filled with a heavy catch of insects, manually advance the cartridge so a fresh tacky surface is available (see page 6 fig. 8 step 5).



**WARNING :
DISCONNECT UNIT
FROM ELECTRICAL
OUTLET .**

ULTRAVIOLET LIGHT BULB REPLACEMENT: Replace bulbs at least once per year. By 8 months the UV output of the bulb has lost approximately 30% of the effectiveness and should be replaced. After this time the bulb may still light but it no longer emits enough of the special UV light frequencies required for an effective insect catch. It is therefor recommended to replace the bulbs every 8 months of use to maintain optimum performance of the unit. Unplug your **Paraclipse™ Terminator** unit. After removing the old bulbs, insert the new ones and twist 90°. (See Fig. 7 on page 5.) **Replacement bulbs: Paraclipse #72917**

CARE AND CLEANING: For best results your **Paraclipse™ Terminator** should be cleaned regularly. Cleaning keeps your unit operating at peak efficiency and also reduces unsanitary conditions. It is recommended to clean the trap each time you replace the cartridge.



**WARNING: DISCONNECT UNIT
FROM ELECTRICAL OUTLET.**

Using glass cleaner, clean the body of the trap and bulbs, removing excess insect droppings and dead carcasses. Dry trap thoroughly with a soft cloth. Reconnect to electrical outlet.



ALL OTHER SERVICING: Any servicing (other than cartridge or ultraviolet bulb replacement , should be performed by an authorized service representative. Call or FAX. **Paraclipse, Inc.** for the name of the one nearest to you.

REPLACEMENT PARTS: For replacement Cartridges, ultraviolet bulbs, other replacement parts or new **Paraclipse™ Terminator** units, contact your dealer. Call or FAX (numbers located at the bottom of the page) **Paraclipse, Inc.** for the name of the one nearest you.

Paraclipse®

AUTOMATED INSECT CONTROL DIVISION
Paraclipse, Inc.
2271 East 29th Ave.
P. O. Box 686
Columbus, NE 68602-0686
USA

Tel: (402)563-3625
FAX: (402)564-2109
E-mail: paraclps@megavision.com
Web site: www.paraclipse.com