

**NTL-158**  
**Line Voltage Gimbal Ring Track Pack**  
**Line Voltage Track Pack**  
**Lamps: (2 or 3) 75W Par30**



Type \_\_\_\_\_  
 Project \_\_\_\_\_  
 Catalog No. \_\_\_\_\_  
 Lamp/Wattage \_\_\_\_\_

**PRODUCT DESCRIPTION**

One 4' single circuit extruded aluminum track with 20-Amp rated flat, solid integral conductors equipped with two end caps. 2 or 3 line voltage PAR adjustable gimbal track heads. The track pack also includes a floating canopy feed, which allows the track to connect to an existing outlet box anywhere along the track.

**Features**

- Deep drawn steel socket cup housing for high strength and rigidity.
- Heat resistant Teflon coated wire lead.
- Low profile gimbal ring with minimum profile.
- Adjustable yoke for custom aiming.
- High-strength stainless steel electrical contacts.
- One or two circuit track capable.

**CONSTRUCTION**

**Track Extrusion**

.030 die cast aluminum construction with 0.045 PVC insulators holding 12-gauge flat conductor wiring. Polarity groove is located on face of track to indicate location of grounding conductor.

**Track Head Housing, Socket Cup**

0.025 Deep drawn steel construction with softened edges.

**Gimbal Ring**

0.030 Baked enamel finished steel ring. High-tension stainless steel spring secures PAR light source.

**Yoke**

0.085 Rigid steel "wishbone" yoke connects fixture housing to electrical contact head. Dual plastic angle tightening knobs maintain clean, decorative appearance of the fixture and provide secure angle position.

**Socket**

Porcelain jacketed aluminum screw thread medium base socket.

**Wiring**

Teflon coated wire lead connects socket and housing to electrical contact head. Teflon coating is durable and resists heat degradation from lamp and housing radiation.

**Contact Head Assembly**

Three 0.030 stainless steel contacts mounted in high heat rated plastic housing.

**One/Two Circuit Conversion**

Positive contact (opposite neutral and ground contacts) is preset to "down" position at factory but may be raised to the higher position to install onto the second circuit of Nora Lighting NT - 2300 series two-circuit track.

**Electrical**

2400 Watts, 120V input, 60Hz.

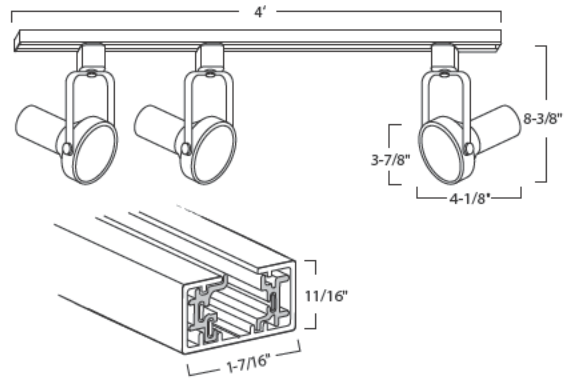
**Dimming**

Nora track may be dimmed with any approved incandescent dimmer.

**Lamp**

- 75W Par30 lamp (not included).

**DIMENSIONS**



<b>TRACK:</b>	<b>TRACK HEAD:</b>	
Height: 1 1/16"	Diameter: 3-7/8"	
Length: 4'	Length: 4-1/8"	
Width: 1-7/16"	Max. Extension: 8-3/8"	

**Finishes**

Black or White heat rated baked enamel paint.

**Compatibility**

Nora track fixtures are interchangeable with Halo, Catalina, Hampton Bay, Halo-Edison, or any other brands configured to Halo 3 conductor track design.

Note: Fixtures may not be compatible with non-Nora transformers or monopoint adapters.

**Labels and Listings**

UL Listed as track lighting fitting.  
 UL Listed for indoor, dry location.



Create a complete catalog number: Example: NTL - 158 B / 4H

Track Pack - select one box from each column

Catalog No.	Fixtures	Lamp	Wattage	Finish
NTL-158	3	Par30	75	B
	4			W

Finishes: B = Black, W = White

