

NTL-226B



Combination Projector - Gobo, Framing, Beam Concentrator

LAMP WATTAGE

(1) 75MR16 12V GU 5.3 maximum (not included)

DESCRIPTION

Combination projector serving three functions: Gobo Projector, Framing Projector, Beam Concentrator.

Accessories allow fixture to be configured to project a gobo image, frame a perfect rectangle, or cast a defined circle beam with no residual light spill. Any one of the above combinations can be used simultaneously with an effect gel for effects such as softening or coloring the output light.

FEATURES

- Heavy Duty Extruded Aluminum Body
- Integrated electronic transformer isolated from main housing
- Dual lenses for precise focus
- All accessory framing tools are included
- Easy operation and maintenance

HOUSING

Extruded .08 aluminum construction. Housing has ridged linear texturing to provide maximum heat dissipation. Front of housing terminates at bracket to hold color or other effect gels or filters. Top of housing has sliding door with screw lock revealing cavity with internal bracket to hold beam concentrator templates or gobo holder. Four sides of housing contain slots for insertion of framing shutters to cut output beam into a defined rectangle. Two concave glass lenses inside the housing provide precise focusing for all three functions, each connected to a tightening screw knob for independent positioning. In addition, two large plastic knobs provide vertical angle setting for physically aiming the entire projector. Internal lamp housing removes from the back for lamp maintenance.

FUNCTIONS

Gobo Projector

With gobo mounting insert (included) installed into main housing, any custom gobo (by others) can be projected onto any desired surface. Insert only accepts steel card gobos (do not attempt with glass gobos); please see diagram for gobo and image specifications.

Framing Projector

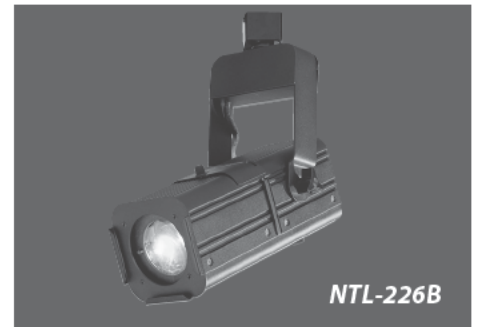
Four framing shutters insert into narrow slots on all four sides of main projector housing. Inserted, shutters have complete independent motion for precise position and size of illuminated rectangle desired. Focus can be adjusted to provide either a soft or rigid, defined border around any frame or artwork.

Beam Concentrator

Two inserts provide four cutout templates to produce various size beams. Focusing can provide either a soft or hard border around the spotlight produced by the concentrator template.

TRANSFORMER

Solid-state electronic transformer provides noise-free voltage reduction and operation. If dimming, use electronic low voltage rated only dimming controls. Transformer is housed in a separate compartment apart from the main housing below the fixture's contact head, allowing use of a 75W MR16 source without the risk of heat transfer to the transformer itself.



NTL-226B

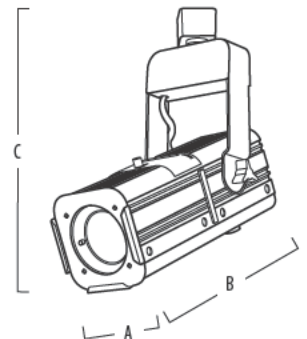
PRODUCT MATRIX

CATALOG NUMBER	FINISH	BASE	WATT	VOLT	INTEGRAL TRANSFORMER	LAMP INCLUDED*
NTL-226B	Black	GU 5.3	75	12	YES	NO

DIMENSIONS

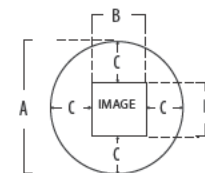
N T L - 2 2 6 B P R O J E C T O R

A: Diameter	4-7/8"	(124 mm)
B: Length	9-1/4"	(24 cm)
C: Extension	12"	(31 cm)



N T L - 2 2 6 B G O B O

A: Diameter	1-1/2"	(38 mm)
B: Image H and W	3/4"	(19 mm)
C: Image to Edge	3/8"	(9.5 mm)



120V/60Hz Input; 11.5-12V Output; 75VA Max. Load

WIRING

Teflon coated wire lead connects housing to transformer compartment and electrical contact head. Teflon coating is durable and resists heat degradation from lamp and housing radiation.

SOCKET

Porcelain socket for GU 5.3 12V MR16 lamp. Socket is located in lamp holder subassembly removed through the rear of the main projector housing. Socket with lamp snaps out of the assembly with a spring lever.

CONTACT HEAD ASSEMBLY

Three .030 stainless steel contacts mounted in high heat rated plastic housing.

ONE/TWO CIRCUIT CONVERSION

Positive contact (opposite neutral and ground contacts) is preset to "down" position at factory, but may be raised to the higher position to install onto the second circuit of Nora Lighting NT-2300 series two-circuit track.

FINISHES

Black heat rated baked enamel paint. Custom finishes may be available for large quantities. Please consult factory for details.

COMPATIBILITY

Nora track fixtures are interchangeable with Halo, Catalina, Hampton Bay, Halo-Edison, or any other brands configured to Halo track system design. Note: fixtures may not be compatible with non-Nora transformers or monopoint adapters.

UL LISTED

UL Listed as track lighting fitting

ACCESSORIES

All concentrator, framing shutter, and gobo holder accessories are included with fixture. Gobos by others. Please consult the above diagram for specifications.