

Type _____

Project _____

Catalog No. _____

Lamp/Wattage _____

NTL-226 (Combination Projector)

Gobo, Framing and Beam Concentrator

Lamp: 75MR16 12V GU 5.3 maximum (not included)

PRODUCT DESCRIPTION

Low voltage die cast aluminum designer Cylinder fixtures with MR16 light source. Integral magnetic resistor included. Black baffles, also available in additional styles.

FEATURES

- Heavy Duty Extruded Aluminum Body.
- Integrated electronic transformer isolated from main housing.
- Dual lenses for precise focus.
- All accessory framing tools are included.
- Easy operation and maintenance.

CONSTRUCTION

Three .030 Extruded .08 aluminum construction. Housing has ridged linear texturing to provide maximum heat dissipation. Front of housing terminates at bracket to hold color or other effect gels or filters. Top of housing has sliding door with screw lock revealing cavity with internal bracket to hold beam concentrator templates or gobo holder. Four sides of housing contain slots for insertion of framing shutters to cut output beam into a defined rectangle. Two concave glass lenses inside the housing provide precise focusing for all three functions, each connected to a tightening screw knob for independent positioning. In addition, two large plastic knobs provide vertical angle setting for physically aiming the entire projector. Internal lamp housing removes from the back for lamp maintenance. stainless steel contacts mounted in high heat rated plastic housing

FUNCTIONS

Gobo Projector

With gobo mounting insert (included) installed into main housing, any custom gobo (by others) can be projected onto any desired surface. Insert only accepts steel card gobos (do not attempt with glass gobos); please see diagram for gobo and image specifications.

Framing Projector

Four framing shutters insert into narrow slots on all four sides of main projector housing. Inserted, shutters have complete independent motion for precise position and size of illuminated rectangle desired. Focus can be adjusted to provide either a soft or rigid, defined border around any frame or artwork.

Beam Concentrator

Two inserts provide four cutout templates to produce various size beams. Focusing can provide either a soft or hard border around the spotlight produced by the concentrator template.

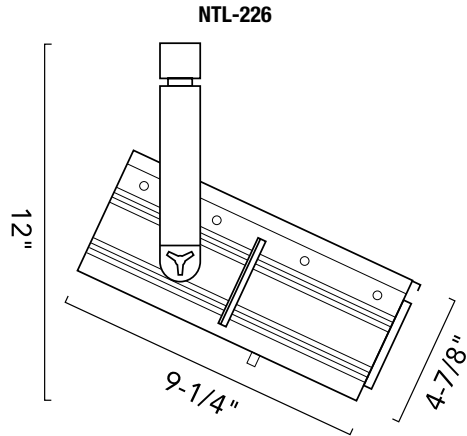
TRANSFORMER

Solid-state electronic transformer provides noise-free voltage reduction and operation. If dimming, use electronic low voltage rated only dimming controls. Transformer is housed in a separate compartment apart from the main housing below the fixture's contact head, allowing use of a 75W MR16 source without the risk of heat transfer to the transformer itself. 120V/60Hz Input; 11.5-12V Output; 75VA Max. Load

SOCKET

Porcelain socket for GU 5.3 12V MR16 lamp. Socket is located in lamp holder subassembly removed through the rear of the main projector housing. Socket with lamp snaps out of the assembly with a spring lever.

DIMENSIONS



Diameter: 4-7/8
Length: 9-1/4"
Max. Extension: 12"

LAMP

Use ONLY a narrow spot (EXT or EYF) beam spread of 8-15 degrees maximum (the narrower, the better). For best results, use either a 71W or 75W lamp for maximum brightness. **NOT RECOMMENDED FOR USE WITH LED MR16 LAMPS.**

ACCESSORIES

Concentrator, Framing shutter and Gobo holder accessories included with fixture.

ONE/TWO TRACK CONVERSION

Positive contact (opposite neutral and ground contacts) is preset to "down" position at factory, but may be raised to the higher position to install onto the second circuit of Nora Lighting NT-2300 series two-circuit track.

LABELS AND LISTINGS

UL Listed



Combination Projector

Catalog No.	Wattage	Finishes	Style
NTL-226	75W	B = Black	Blank = H-Style

Create a complete track head number: Example: NTL - 226B