

6" Recessed Downlight

LR6-DR1000

Product Description

The LR6-DR1000 is a recessed architectural downlight that utilizes Cree TrueWhite® Technology to deliver 1,000 lumens of high quality light, with an unprecedented efficacy of 80 lumens per watt. Its exceptional CRI of 90 brings out the true beauty of applications ranging from offices, schools, hospitals, restaurants, airports, hotels, and homes. US Patent #7,213,940. Numerous patents pending.

Performance Summary

- Utilizes Cree TrueWhite® Technology
- Delivered Light Output = 1,000 lumens
- Input Power = 12.5 Watts
- CRI = 90
- CCT = 2700K or 3500K
- Dimmable to 20%
- Five Year Warranty

Ordering Information

Intended for use with Cree H6 Housing, may be retrofitted into 6" housings from select manufacturers using the supplied GU24 whip adapter.

Light Engine

- LR6-DR1000 - 120V, Incandescent Color (2700K), GU24 Base
- LR6C-DR1000 - 120V, Neutral Color (3500K), GU24 Base

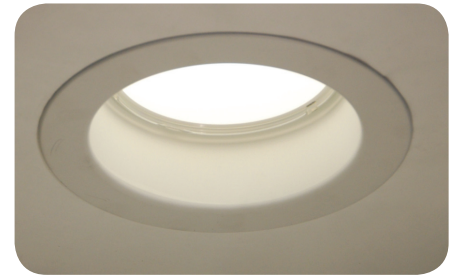
Accessories - Reference accessory product information sheets for more detail

Accessory Trims

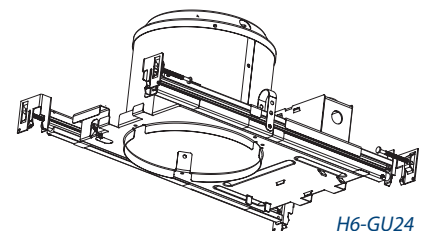
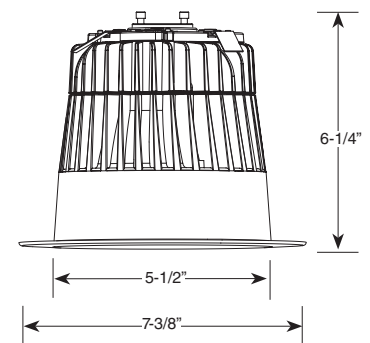
- LT6A-DR - Diffuse anodized
- LT6AW-DR - Wheat diffuse anodized
- LT6AP-DR - Pewter diffuse anodized
- LT6AB-DR - Black anodized
- LT6BB-DR - Flat black
- LT6WH-DR - Smooth white

Housings

- H6 - Architectural
- RC6 - New construction
- RR6 - Retrofit
- SC6 - Surface mount
- SC6-CM - Cord mount
- SC6-WM - Wall mount



LR6C-DR1000



H6-GU24

LR6-DR1000

6" Recessed Downlight

Product Information

Cree TrueWhite® Technology

- A better way to generate white light that utilizes a patented mixture of unsaturated yellow and saturated red LEDs.
- Tuned to optimal color point before shipment.
- Color management system maintains color consistency over time and temperature.
- Designed to last 50,000 hours and maintain at least 70% of initial lumen output in IC and non-IC installations.

Construction

- Durable die-cast aluminum upper housing, lower housing, and upper cover.
- Integrated thermal management system conducts heat away from LEDs and transfers it to the surrounding environment. LED junction temperatures stay below specified maximums.
- Designed for use with H6-GU24 housing from Cree, 6" recessed architectural housing with rugged, integral, extruded aluminum bar hangers (h = 7").

Optical System

- Proprietary optical system utilizes a unique combination of reflective and refractive optical components to achieve a uniform, comfortable appearance. Pixelation and direct view of unshielded LEDs are eliminated.
- White Lower Reflector balances brightness of refractor with the ceiling to create comfortable high-angle appearance. Works with refractor to deliver an optimized distribution that illuminates walls and vertical surfaces increasing the perception of spaciousness.

Electrical System

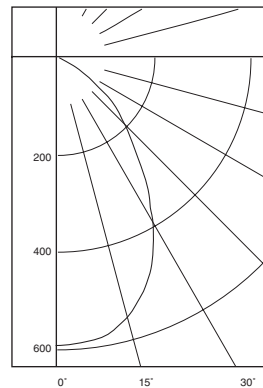
- Integral, high efficiency driver and power supply.
- Power factor > 0.9
- Input voltage = 120V, 60Hz.
- Dimmable to 20% with certain incandescent dimmers (reference www.CreeLEDLighting.com for recommended dimmers).

Regulatory and Voluntary Qualifications

- cULus Listed®. Suitable for damp locations.
- Utilize GU-24 base for new construction projects in California or other areas where high efficacy line voltage sockets are required.
- Exceeds California Title-24 high efficacy luminaire requirements.

Photometry

LR6 -DR1000 Based on OnSpex 30012426-F



Intensity (Candlepower) Summary

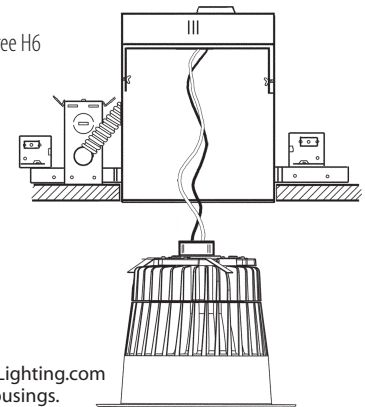
ANGLE	MEAN CP
0°	597
5°	593
15°	559
25°	463
35°	329
45°	207
55°	120
65°	61
75°	32
85°	7
90°	0

Zonal Lumen Summary

ZONE	LUMENS	%LAMP	%FIX
0° - 30°	424	42.42	42.42
0° - 40°	629	62.89	62.89
0° - 60°	897	89.71	89.71
0° - 90°	1000	100.00	100.00

Installation

- Designed to easily install in Cree H6 and 6" housings from select manufacturers.*
- Quick install system utilizes a unique retention feature. Simply attach socket to LR6-DR1000. Move light to ready position and slide into housing.



* Reference www.CreeLEDLighting.com for a list of compatible housings.