



# NTL-221

## MR16 Round Back Baffle Cylinder, with Integral Transformer

### LAMP WATTAGE

(1) 50MR16 12V GU 5.3 (not included)

### DESCRIPTION

Low voltage designer round back fixture with MR16 light source. Die cast black baffle insert reduces glare and provides finished appearance. Heavy-duty yoke provides low profile support and full aiming for fixture. Tightening knob assures secure lock on vertical angle position; internal friction provides secure lateral lamp position. Integral transformer inside fixture provides clean, simple appearance.

### FEATURES

- Low profile, aesthetic design
- Magnetic transformer integral to cylinder body
- Die cast baffle insert
- Adjustable yoke for custom aiming
- Clear shield included with fixture
- High-strength stainless steel electrical contacts
- One or two circuit track capable

### HOUSING

.030 Drawn steel construction; cylindrical shape.  
.070 Die cast, black finished aluminum baffle insert eliminates side glare from fixture and holds MR16 lamp source along with clear shield.

### YOKE

.085 Rigid steel yoke connects fixture housing to electrical contact head. Plastic angle tightening knob maintains clean, decorative appearance of the fixture and provides secure angle position.

### TRANSFORMER

Class H magnetic transformer is invisible, being integral to the fixture body itself. Reliable, long-term operation. If dimming, use electronic low voltage rated only dimming controls.

### SOCKET

Porcelain socket for GU 5.3 12V MR16 lamp.

### LAMP SHIELD

High temperature glass shield included. Mounted in front of MR16 lamp source and held in place with die cast front trim insert.

### CONTACT HEAD ASSEMBLY

Three .030 stainless steel contacts mounted in high heat rated plastic housing.

### ONE/TWO CIRCUIT CONVERSION

Positive contact (opposite neutral and ground contacts) is preset to "down" position at factory, but may be raised to the higher position to install onto the second circuit of Nora Lighting NT-2300 series two-circuit track.

### FINISHES

White or Black heat rated baked enamel paint. Custom painting or anodizing for special applications is also available. Custom finishes will require lead times that vary depending on vendor schedules. Please consult factory for quotation, and provide either a Dunn Edwards number or color chip for exact matching.



NTL-221

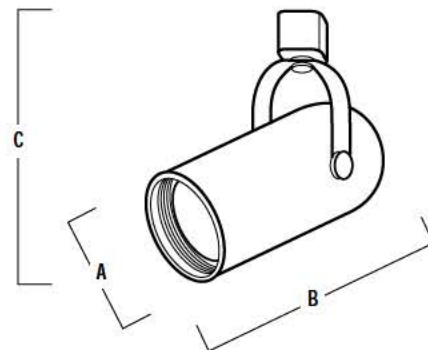
### PRODUCT MATRIX

CATALOG NUMBER	FINISH	BASE	WATT	VOLT	INTG'L TF
NTL-221	B,W	GU 5.3	50	12	YES

### DIMENSIONS

#### NTL - 221

A: Diameter	4-1/4"	(108 mm)
B: Length	6-5/8"	(168 mm)
C: Max Extension	9-3/8"	(23.8 cm)



### COMPATIBILITY

Nora track fixtures are interchangeable with Halo, Catalina, Hampton Bay, Halo-Edison, or any other brands configured to Halo track system design.  
*Note: fixtures may not be compatible with non-Nora transformers or monopoint adapters.*

### UL LISTED

UL Listed as track lighting fitting

### ACCESSORIES

R/PAR20 Accessory Holder .....NT-344  
R/PAR20 Black Louver .....NT-341\*  
R/PAR20 Barn Door .....NT-338  
Filters .....By others  
Custom Finishes .....Consult Factory  
\* NT-341 Louver accessory must be used with NT-344 Accessory Holder or NT-338 Barn Door accessory.