

NTL-209 NTL-2209



MR16 Mini Die Cast Spotlight

LAMP WATTAGE

- (1) 50MR16 12V GU 5.3 (not included)
- (1) 75MR16 12V GU 5.3 (not included)

DESCRIPTION

Line or low voltage die cast aluminum designer vented conical spotlight fixtures with MR16 light source. Yoke provides full adjustment of light source for special aiming and dual tightening knobs assure secure lock on angle position.

FEATURES

- Die cast aluminum provides superior strength and rigidity
- Low profile, aesthetic design
- Adjustable yoke for custom aiming
- Clear shield included with fixture
- High-strength stainless steel electrical contacts
- One or two circuit track capable

HOUSING

.030 Die cast aluminum construction; conical design with vent features added for unique, modernized appearance. All edges are softened for aesthetic appearance. Circular vented aluminum rear of fixture provides heat dissipation and escape as well as a slightly stepped design feature.

YOKE

.085 Rigid steel yoke connects fixture housing to electrical contact head. Dual plastic angle tightening knobs maintain clean, decorative appearance of the fixture and provide secure angle position.

TRANSFORMER

Solid state electronic transformers provide noise-free voltage reduction and operation. If dimming, use electronic low voltage rated only dimming controls.

NTL-209:

Integral Unit - 120V/60Hz Input; 12V Output; 50VA Max. Load

NTL-2209 (requires separate transformer):

External Unit - NTL-2200/50: 120V/60Hz Input; 12V Output; 50VA Max. Load

External Unit - NTL-2200/75: 120V/60Hz Input; 12V Output; 75VA Max. Load

WIRING

Teflon coated wire lead connects socket and housing to electrical contact head. Teflon coating is durable and resists heat degradation from lamp and housing radiation.

SOCKET

Porcelain socket for GU 5.3 12V MR16 lamp.

LAMP SHIELD

High temperature glass shield included. Mounted to front of lamp fixture and held in place with high-tension retaining spring clip.



NTL-209W



NTL-2209B

DIMENSIONS

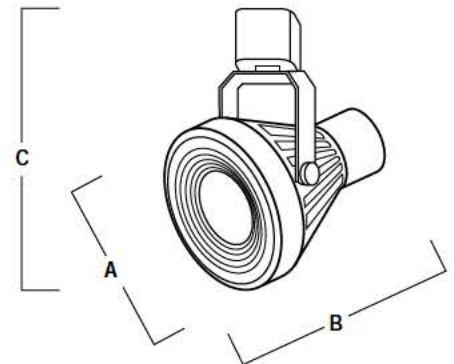
NTL-209

A: Diameter	3-1/4"	(83 mm)
B: Length	2-7/8"	(73 mm)
C: Extension	6-1/2"	(165 mm)

NTL-2209*

A: Diameter	3-1/4"	(83 mm)
B: Length	2-7/8"	(73 mm)
C: Extension*	7-1/2"	(191 mm)

* Extension includes NTL-2200 transformer which is required for use with NTL-2209



CONTACT HEAD ASSEMBLY

Three .030 stainless steel contacts mounted in high heat rated plastic housing.

ONE/TWO CIRCUIT CONVERSION

Positive contact (opposite neutral and ground contacts) is preset to "down" position at factory, but may be raised to the higher position to install onto the second circuit of Nora Lighting NT-2300 series two-circuit track.

FINISHES

White or Black heat rated baked enamel paint. Custom painting or anodizing for special applications is also available. Custom finishes will require lead times that vary depending on vendor schedules. Please consult factory for quotation, and provide either a Dunn Edwards number or color chip for exact matching.

COMPATIBILITY

Nora track fixtures are interchangeable with Halo, Catalina, Hampton Bay, Halo-Edison, or any other brands configured to Halo track system design. Note: fixtures may not be compatible with non-Nora transformers or monopoint adapters.

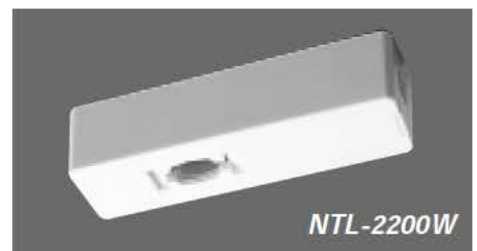
UL LISTED

UL Listed as track lighting fitting

ACCESSORIES

Transformers (required for NTL-2209):

50VA	NTL-2200/50(B,W)
75VA	NTL-2200/75(B,W)
Filters	NM-110 (See accessories page)
Custom Finishes	Consult Factory



NTL-2200W