

NTL-208 NTL-2208



MR16 Mini Barn Doors

LAMP WATTAGE *

- (1) 50MR16 12V GU 5.3 (not included)
- (1) 75MR16 12V GU 5.3 (not included)

* MR16 Barn Door fixture does not accept clear shield. Please use lamps that are inherently shielded.

DESCRIPTION

Line or low voltage aluminum designer vented-rear barn door fixtures with MR16 light source. Single stem conceals wiring and provides full adjustment of light source for special aiming. Dual tightening knobs assure secure lock on vertical angle position; internal friction provides secure lateral lamp position.

FEATURES

- Die cast aluminum rear body provides superior strength and rigidity
- Low profile, aesthetic design
- Integral Barn Doors
- Adjustable stem for custom aiming
- High-strength stainless steel electrical contacts
- One or two circuit track capable

HOUSING

Main body consists of .030 drawn aluminum cone terminating at a square front containing hinged barn doors on all four side edges. Small end of cone allows for screw attachment to rear body of fixture. Rear portion of fixture is constructed of .090 die cast aluminum with vented rear providing design feature and heat dissipation and escape.

STEM

.065 Die cast aluminum stem connects fixture housing to electrical contact head. Lead wire is completely concealed from view within stem. Dual plastic angle tightening knobs maintain clean, decorative appearance of the fixture and provide secure angle position.

TRANSFORMER

Solid state electronic transformers provide noise-free voltage reduction and operation. If dimming, use electronic low voltage rated only dimming controls.

NTL-208:

Integral Unit - 120V/60Hz Input; 12V Output; 50VA Max. Load

NTL-2208 (requires separate transformer):

External Unit - NTL-2200/50: 120V/60Hz Input; 12V Output; 50VA Max. Load

External Unit - NTL-2200/75: 120V/60Hz Input; 12V Output; 75VA Max. Load

SOCKET

Porcelain socket for GU 5.3 12V MR16 lamp.

LAMP SHIELD

High temperature glass shield included. Mounted in front of MR16 lamp source and held in place with die cast front trim insert.



NTL-208W



NTL-2208B

DIMENSIONS

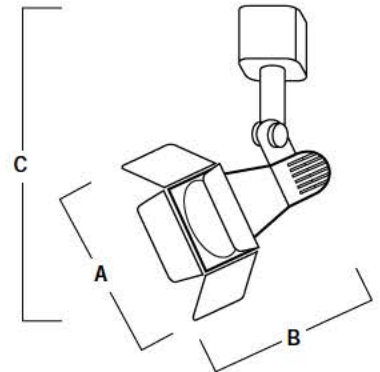
NTL - 208

A: Diameter	2-7/8"	(73 mm)
B: Length	4-1/8"	(105 mm)
C: Extension	7-1/2"	(191 mm)

NTL - 2208 *

A: Diameter	2-7/8"	(73 mm)
B: Length	4-1/8"	(105 mm)
C: Extension*	8-1/2"	(22 cm)

* Extension includes NTL-2200 transformer which is required for use with NTL-2208



CONTACT HEAD ASSEMBLY

Three .030 stainless steel contacts mounted in high heat rated plastic housing.

ONE/TWO CIRCUIT CONVERSION

Positive contact (opposite neutral and ground contacts) is preset to "down" position at factory, but may be raised to the higher position to install onto the second circuit of Nora Lighting NT-2300 series two-circuit track.

FINISHES

White or Black heat rated baked enamel paint. Custom painting or anodizing for special applications is also available. Custom finishes will require lead times that vary depending on vendor schedules. Please consult factory for quotation, and provide either a Dunn Edwards number or color chip for exact matching.

COMPATIBILITY

Nora track fixtures are interchangeable with Halo, Catalina, Hampton Bay, Halo-Edison, or any other brands configured to Halo track system design.
Note: fixtures may not be compatible with non-Nora transformers or monopoint adapters.

UL LISTED

UL Listed as track lighting fitting

ACCESSORIES

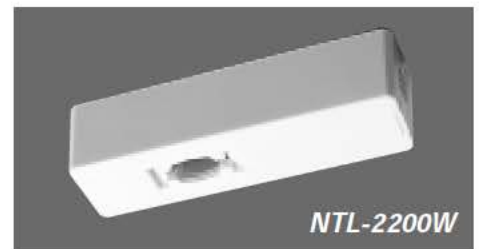
Transformers (required for NTL-2208):

50VA NTL-2200/50(B,W)

75VA NTL-2200/75(B,W)

Filters NM-110 (See accessories page)

Custom Finishes ... Consult Factory



NTL-2200W